

The image is a close-up photograph of a wooden workbench. In the foreground, a light-colored wooden board is joined to a darker wooden board below it using a Lamello system. A black plastic wedge is visible in the joint. To the left, a black plastic component of the system is shown. In the background, a piece of cork is visible. The Lamello logo is in the top left corner. The bottom of the image has a red background with white text and a logo.

Lamello

# Lamello System

The original for efficient,  
intuitive and precise joints



# Content

## Lamello System

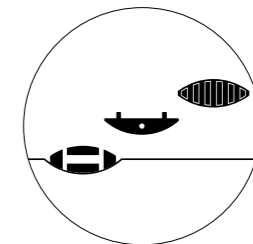


The original for efficient, intuitive and precise joints

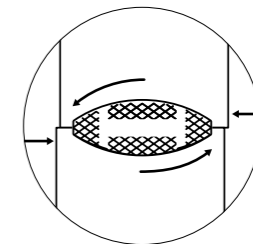
<b>Lamello System</b> – Overview	4–5
<b>Original wood biscuit</b> – The original wooden biscuit that always fits	8–9
<b>E20</b> – The self-clamping element	10–11
<b>Clamex S-20</b> – Detachable furniture connector for the 4 mm groove	12–13
<b>Clamex S-18</b> – Detachable, flexible and simple. Installation in an 8 mm groove with screws	14–15
<b>K20</b> – The clamping element, which holds the workpiece in position	16–17
<b>C20/C10</b> – The transparent element	18–19
<b>Application examples</b> – Lamello System	20–21
<b>Minicol</b> – The all purpose glue applicator	22–23
<b>Clamping set</b> – Clamping system for cabinets	24–25
<b>High performance without cable</b> – LiHD battery pack	26–27
<b>More flexible in the workshop</b>	28
<b>Mobile working on the construction site</b>	29
<b>Classic X cordless</b> – The original biscuit joiner – precise and cordless	30–31
<b>Classic X</b> – The original biscuit joiner for every workshop	32–33
<b>Top 21</b> – The original biscuit joiner with height adjustable blade from the inventor	34–35
<b>Original Lamello biscuit joiners</b> – These properties make the difference	36
<b>Versatile use ...</b> With various connecting elements	37
<b>Technical information</b>	38–41
<b>Accessories/Spare Parts</b> – Lamello System	42–45
<b>Overview of connectors</b>	46
<b>Disclaimer regarding load limits</b>	47



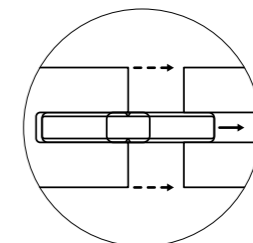
## Features



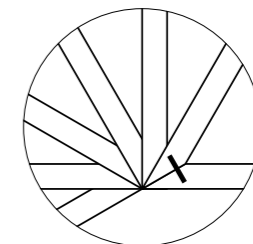
**Versatile applications**  
One cutting principle for many different joining elements



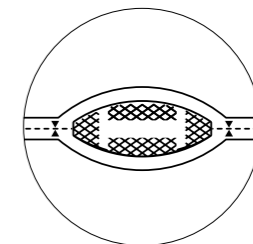
**Lateral tolerance**  
The generous sliding tolerance allows for perfect flush alignment of workpieces



**Perfect fit**  
The precision of the joining elements and of the 4 mm groove lead to a perfect fit



**Versatile**  
The minimal element depth allows for mitres of 22.5–180 degrees as well as surface and corner joints and divisions



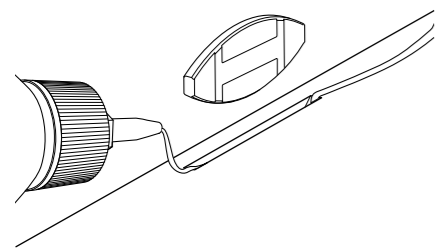
**Symmetrical**  
The identical groove in both workpieces leads to an increase in efficiency in production

# Lamello System

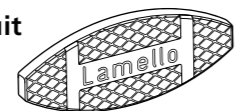
Overview

Features	Connector	Machines		Sequence			
		Power tools	CNC machines	1 Cut	2 Apply glue	3 Insert the connector	4 Clamp

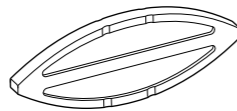
Glueing



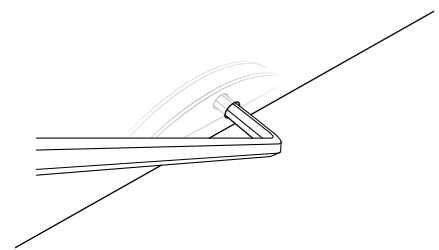
Original wood biscuit



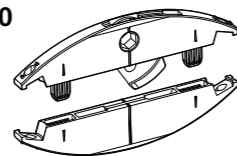
C20



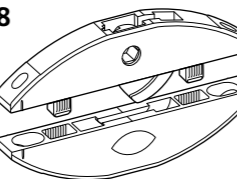
Detachable



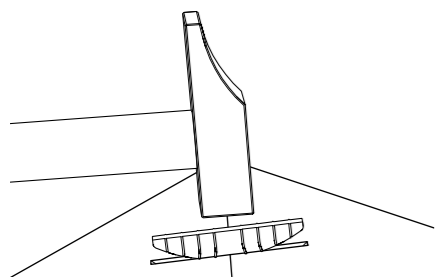
Clamex S-20



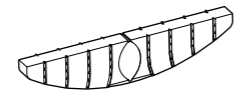
Clamex S-18



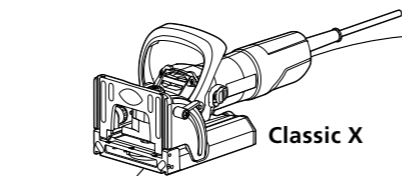
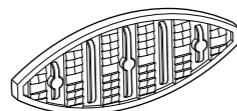
Inserted



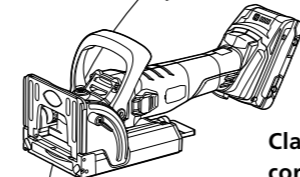
E20



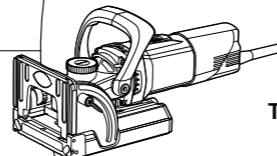
K20



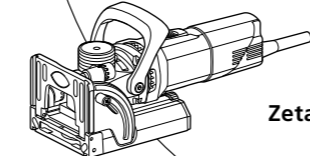
Classic X



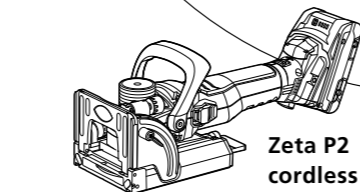
Classic X cordless



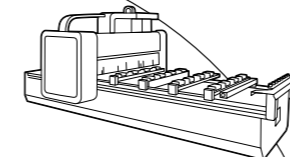
Top 21



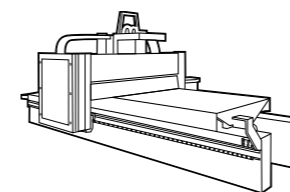
Zeta P2



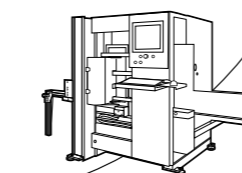
Zeta P2 cordless



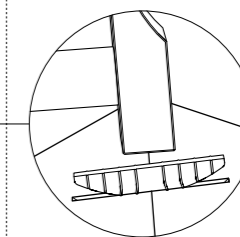
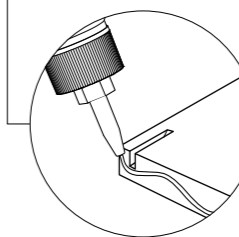
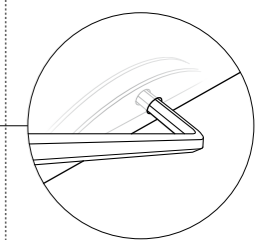
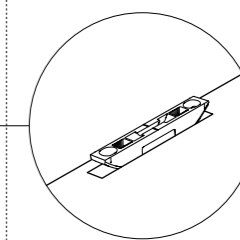
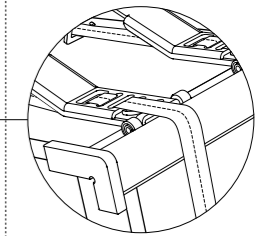
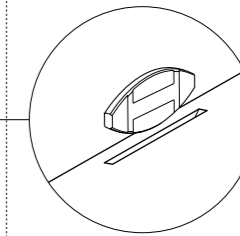
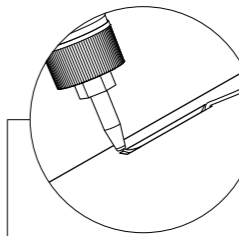
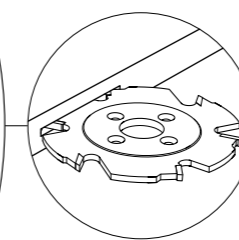
CNC processing centres with **consoles**




CNC processing centres with **nesting technology**



CNC processing centres **vertical**



A man in a light green polo shirt and dark work pants stands in a factory setting, smiling. The background shows industrial shelving and machinery. The polo shirt has 'LADENMACHER' printed on it. The scene is brightly lit with a yellow-green color scheme.

*« The original biscuit –  
always a perfect fit!  
Efficient, quick and  
precise! »*

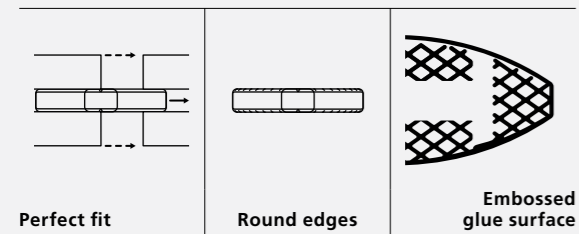
Antonio Orlando, Head of Production Ladenmacher AG  
in Hägendorf, Switzerland

# Original wood biscuit

The original wood biscuit that always fits




## Features



The original wood biscuit is the proven solution for wood joints and the original from the inventor of the system. The original wood biscuit guarantees quality with its dimensional accuracy, optimal glue distribution, dimensional stability as well as the sustainable cultivation of the beech wood. The perfect fit demonstrates its value from the very start, when the biscuits are easily inserted into the groove and remain in place even when the work piece is turned.

## Articles

	<b>Original wood biscuit 20</b>	Art. No.
1000 pieces		<b>144020</b>

	<b>Original wood biscuit 10</b>	Art. No.
1000 pieces		<b>144010</b>

	<b>Original wood biscuit 0</b>	Art. No.
1000 pieces		<b>144000</b>

	<b>Original wood biscuit H9*</b>	Art. No.
1000 pieces		<b>144009</b>

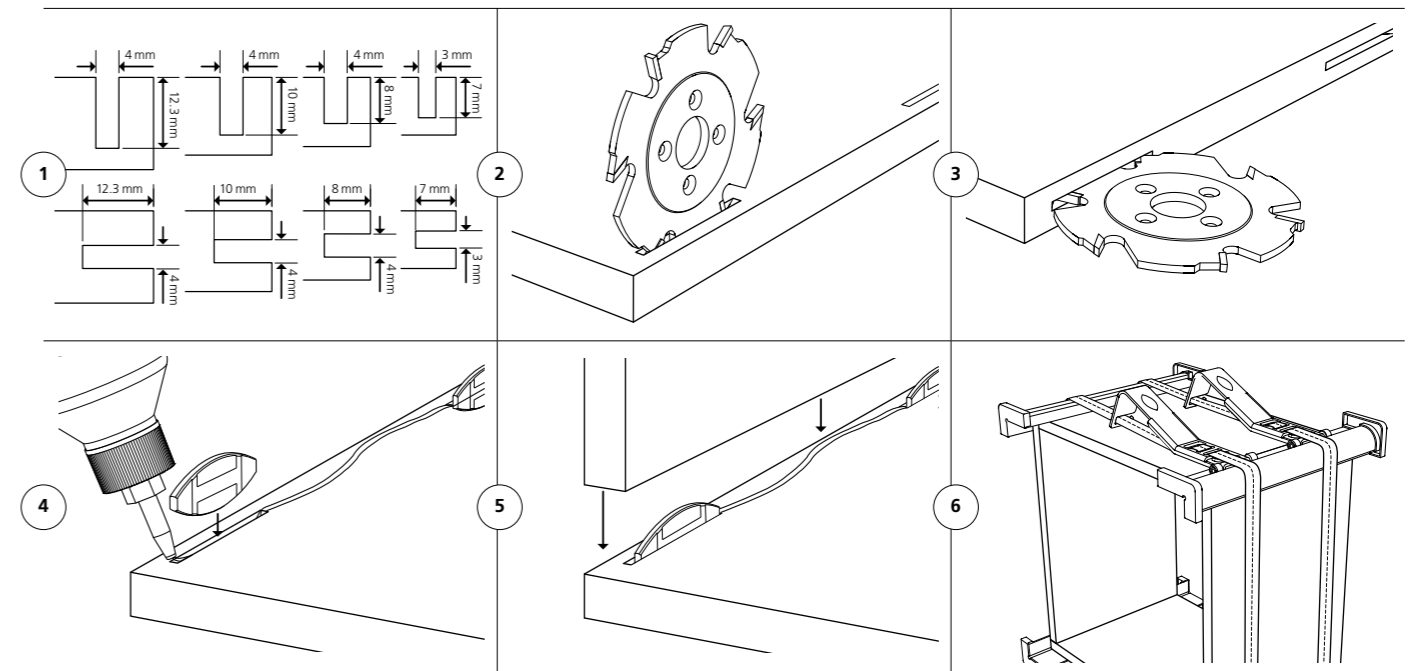
<b>Assorted</b>	Art. No.
500/250/250 pieces (20/10/0)	<b>144030</b>

[www.lamello.com](http://www.lamello.com)  
Experience the connector live and receive comprehensive product information!



\* Installation of wood biscuits with cutter Ø 100 x 4 x Ø 22 mm (standard cutter). Installation of H9 wood biscuits with cutter Ø 78 x 3 x Ø 22 mm (Art. No. 132009)

## Function



## Technical data

### Joining methods

20		
10		
0		
H9		

Size 20	56 x 23 x 4 mm
Size 10	53 x 19 x 4 mm
Size 0	47 x 15 x 4 mm
Cutter	Ø 100 x 4 x Ø 22 mm
Size H9	38 x 12 x 3 mm
Cutter	Ø 78 x 3 x Ø 22 mm
Material connector	Beech
Installation tolerance	Long. ± 1.0 mm/radial ± 1.0 mm
Clamping force (N)	Depending on the adhesive
Material range	Particle board, MDF, plywood, softwood, hardwood etc.

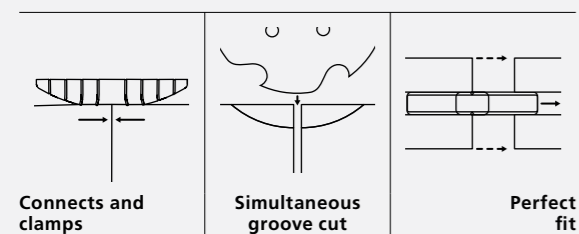
See **PAGE 38-39** for technical specifications

# E20

The self-clamping element




## Features



E20 is a self-clamping element and can be used with any Lamello biscuit joiner. The E20 is driven into the 4 mm groove using a hammer. During insertion, the curved ridges on each side of the connector hold in the groove and clamp the workpieces together. E20 serves as a perfect glueing aid in the workshop or on site.

E20-L is suitable for surface joints such as picture frames, plinth or panel extensions. E20-H is used in the edge and serves as a plinth connector.

## Articles

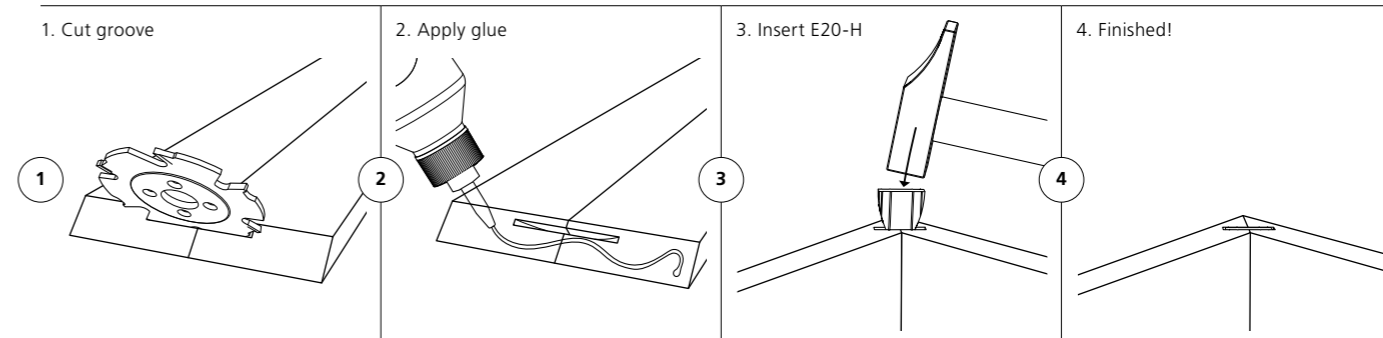
	Art. No.
<b>E20-H</b>	
80 pieces	<b>145021</b>
400 pieces	<b>145026</b>
1200 pieces	<b>145028</b>

	Art. No.
<b>E20-L</b>	
80 pieces	<b>145022</b>
400 pieces	<b>145025</b>
1200 pieces	<b>145027</b>

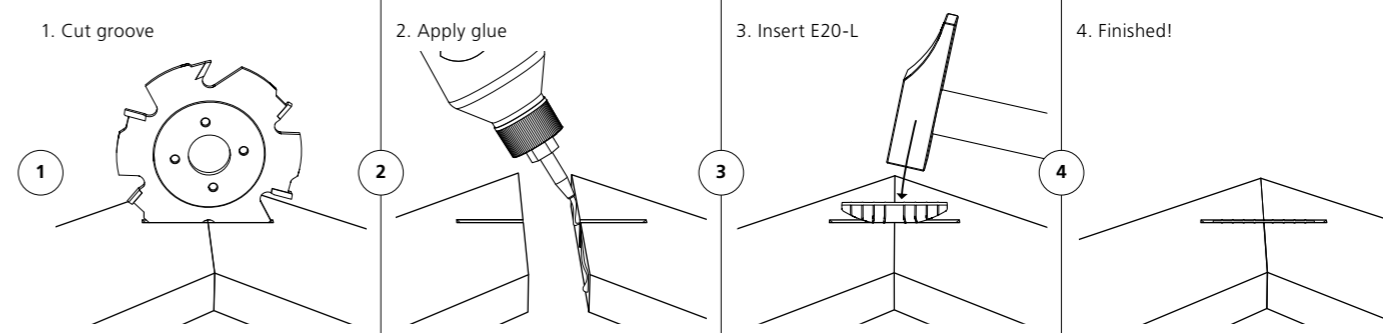
<b>Assorted</b>	Art. No.
40/40 pieces (E20-H/E20-L)	<b>145020</b>

## Function

### E20-H

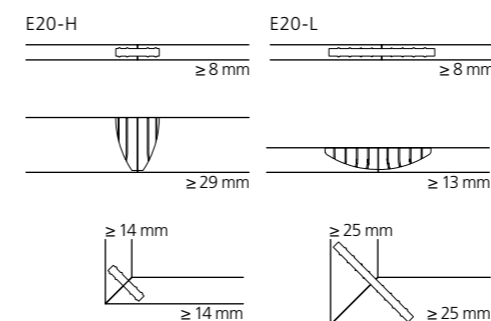


### E20-L



## Technical data

### Joining methods



Size E20-H	23 × 28 × 4 mm
Size E20-L	56 × 11.5 × 4 mm
Cutter	Ø 100 × 4 × Ø 22 mm
Material connector	Fiberglass reinforced plastic
Clamping force (N)	Depending on the adhesive
Material range	Particle board, MDF, plywood, softwood, hardwood etc.

[www.lamello.com](http://www.lamello.com)

Experience the connector live and receive comprehensive product information!

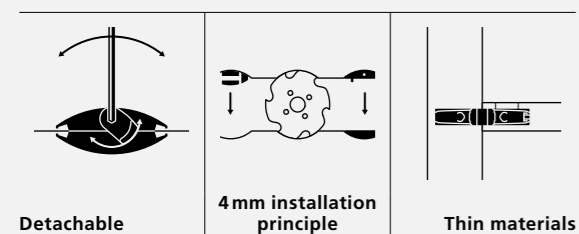


# Clamex S-20

Detachable furniture connector for the 4 mm groove



## Features



Clamex S-20 is a detachable connector for the Lamello system for material thicknesses from 16 mm and is fastened in the groove with screws.

The symmetric 4 mm grooves can be created with any biscuit joiner.

Clamex S-20 is connected to the counterpart with a lever and has a lateral installation tolerance.

It requires no adhesive, enables aesthetic connections at all angles and is ideal for fixed or detachable connections.

## Articles



<b>Clamex S-20</b>	Art. No.
20 pairs, incl. screws	<b>145243</b>
80 pairs, incl. screws	<b>145244</b>
300 pairs	<b>145245</b>
1000 pairs	<b>145246</b>

<b>Clamex S-20 screw</b>	Art. No.
1500 pieces, Ø 3 x 12 mm	<b>125255</b>



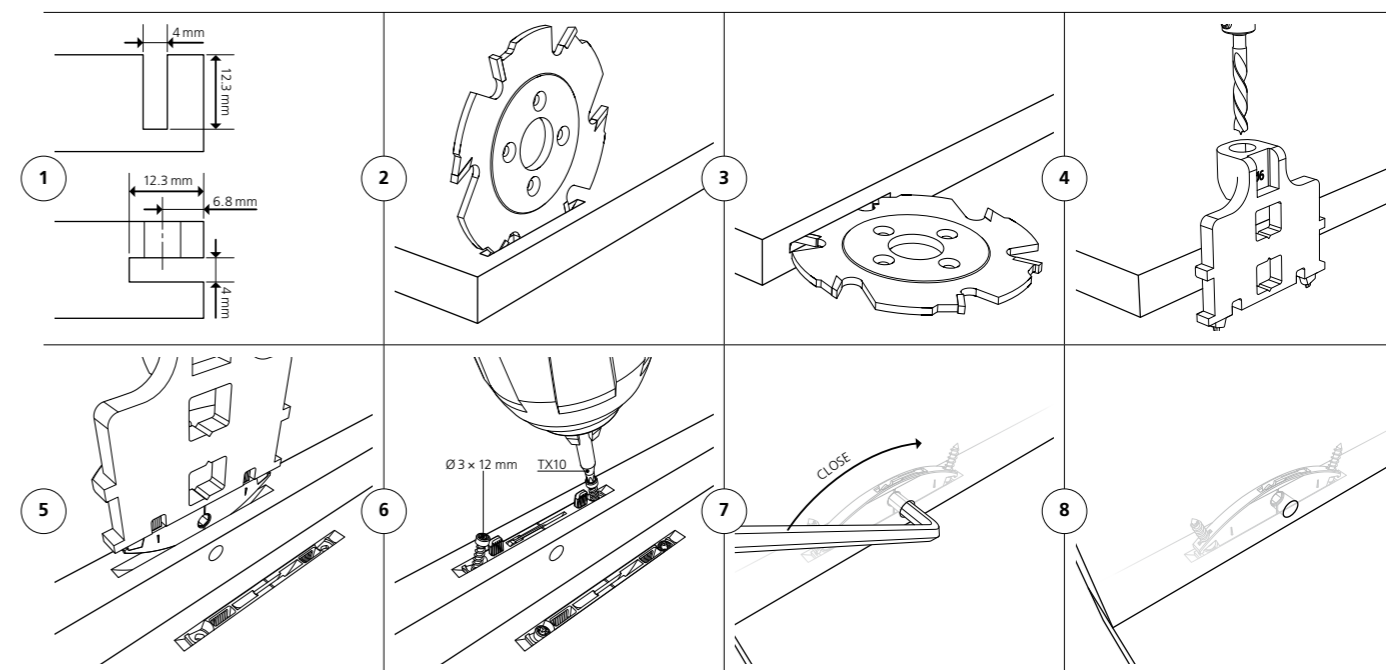
<b>Clamex S-20 Starter set</b>	Art. No.
In Systainer <sup>3</sup> M137, scope of delivery:	<b>145247</b>
Clamex S-20, 80 pairs incl. screws,	
Clamex S-20 drill jig incl. drill Ø 6 mm,	
Clamex assembly tool	

[www.lamello.com](http://www.lamello.com)

Experience the connector live and receive comprehensive product information!

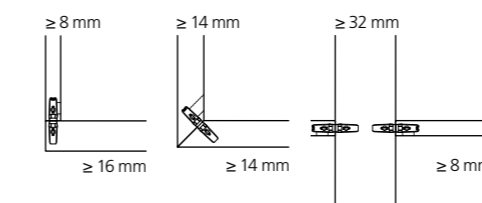


## Function



## Technical data

### Joining methods



Size	59 x 12 x 3.9 mm		
Cutter	Ø 100 x 4 x 22 mm		
Material connector	Fiberglass reinforced plastic		
Material of lever	Zinc die cast		
Screw	3 x 12 mm		
Installation tolerance	Long. ± 1 mm/radial ± 0 mm		
Clamping force (N)	MDF	Particle board	Beech
Up to	680 <sup>1</sup>	490 <sup>1</sup>	620 <sup>1</sup>
Material range	Particle board, MDF, plywood, hardwood, HPL etc.		

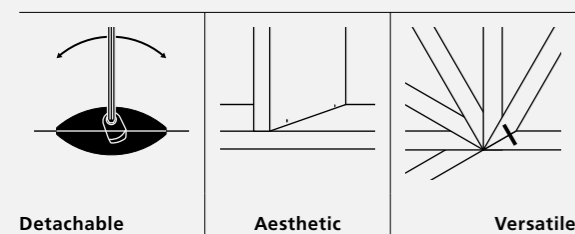
See **PAGE 40** for technical specifications | <sup>1</sup> See comment on load limits on **PAGE 47**

# Clamex S-18

Detachable, flexible and simple.  
Installation in an 8 mm groove  
with screws



## Features



Clamex S-18 is a detachable connector. It is inserted into an 8 mm wide groove and held in place with screws. Through the minimalist 6 mm access hole, Clamex S-18 is firmly connected and disconnected using a lever.

Clamex S-18 can be used with any Lamello biscuit joiner, allows aesthetic joints at all angles and is ideal for permanently joined or detachable mitres.

Clamex S-18 is used in mitre joints from 19 mm material thickness and in butt joints from 15 mm.

## Articles



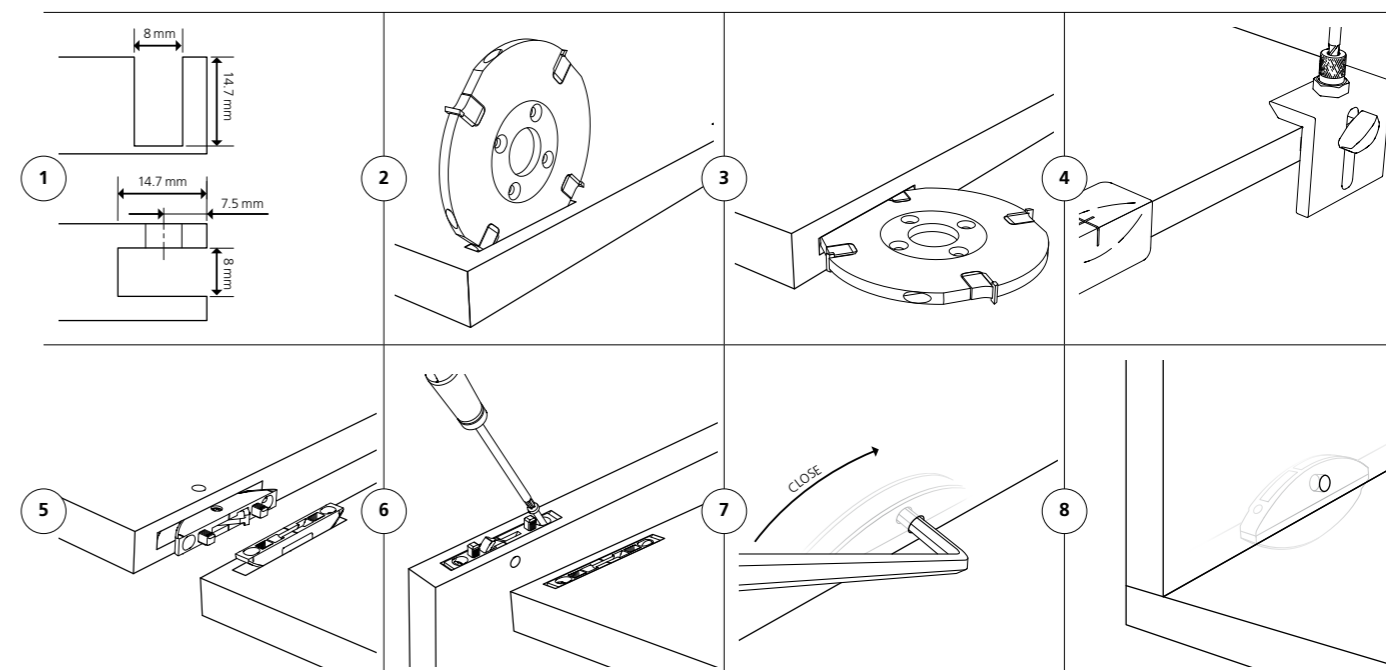
Clamex S-18	Art. No.
18 pairs, incl. screws 3 x 16 mm	<b>145231</b>
80 pairs	<b>145236</b>
300 pairs	<b>145241</b>
1000 pairs	<b>145251</b>

[www.lamello.com](http://www.lamello.com)  
Experience the connector live and receive comprehensive product information!



\* Double cut with 4 mm cutter and spacer  
Single cut with 8 mm cutter Art. No. 132108

## Function



## Technical data

Joining methods	Size	66 x 29 x 8 mm		
	Cutter	Ø 100 x 8 x Ø 22 mm		
	Material connector	Fiberglass reinforced plastic		
	Material of lever	Zinc die cast		
	Screw	3 x 16 mm		
	Installation tolerance	Long. ± 1.0 mm		
	Clamping force (N)	MDF	Particle board	Beech
	Up to	790 <sup>1</sup>	550 <sup>1</sup>	1420 <sup>1</sup>
	Material range	Particle board, MDF, plywood, softwood, hardwood etc.		

See **PAGE 40** for technical specifications | <sup>1</sup> See comment on load limits on **PAGE 47**

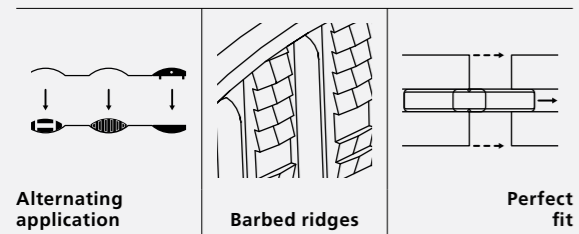


# K20

The clamping element, which holds the workpiece in position



## Features



K20 is a clamping element and can be used with any Lamello biscuit joiner. K20 has barbed ridges on each side of the connector which anchor themselves into the 4 mm groove.

The clamping biscuit is ideal for difficult to clamp workpieces such as fillers or covers and is able to hold workpieces in the correct position until the adhesive is dry.

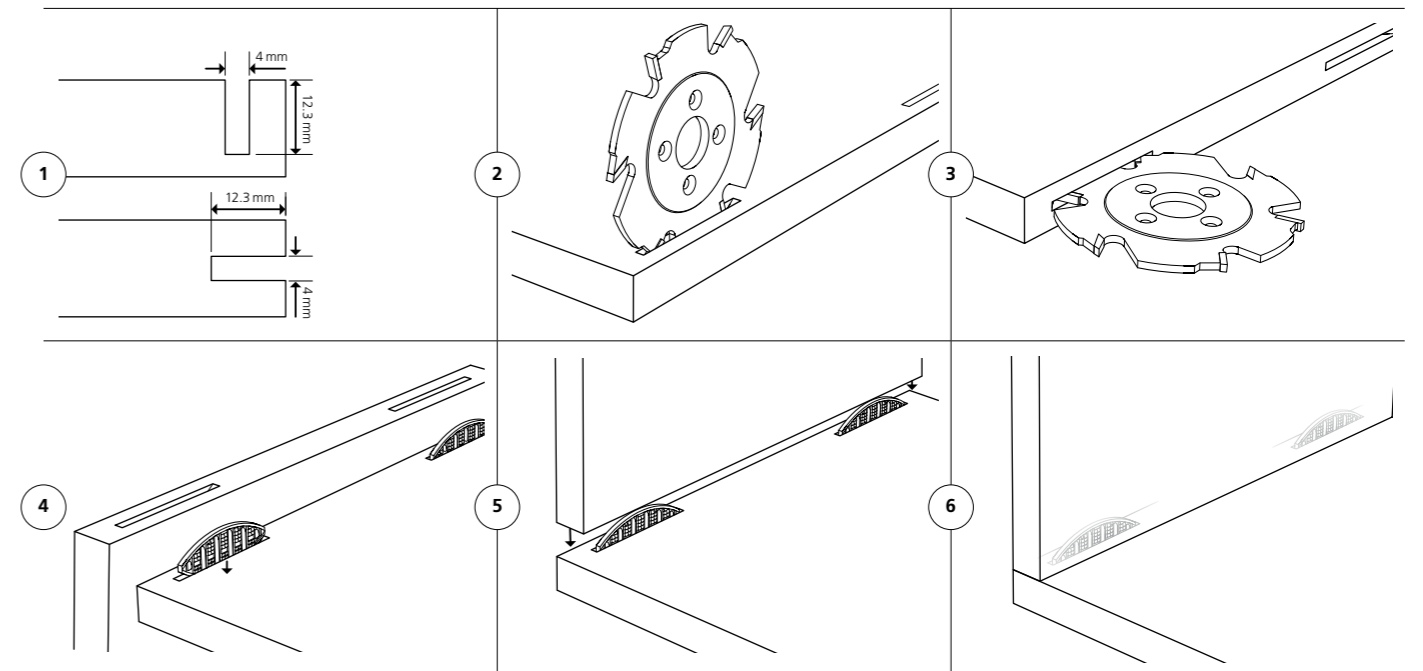
The combination with the original wood biscuits size 20 results in a joint with high strength.

## Articles



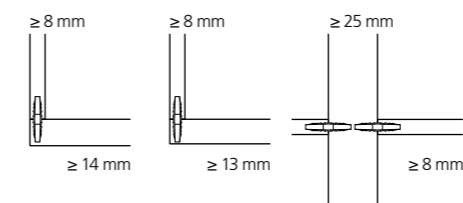
<b>K20</b>	Art. No.
80 pieces	<b>145001</b>
250 pieces	<b>145000</b>

## Function



## Technical data

### Joining methods



Size	60 × 24 × 4.5 mm
Cutter	Ø 100 × 4 × Ø 22 mm
Material connector	Plastic
Installation tolerance	Long. ± 1.0 mm/radial ± 1.0 mm
Clamping force (N)	Depending on the adhesive
Material range	Particle board, MDF, plywood, softwood, hardwood etc.

[www.lamello.com](http://www.lamello.com)

Experience the connector live and receive comprehensive product information!

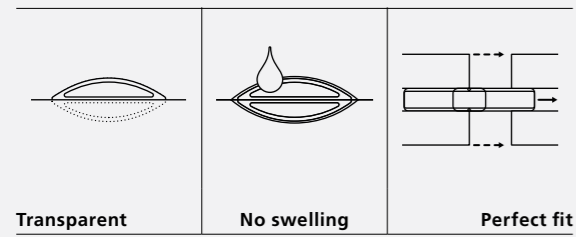


# C20/C10

The transparent element



## Features



C10 and C20 plastic biscuits are the proven joining solution for mineral composite materials such as Corian, Varicor.

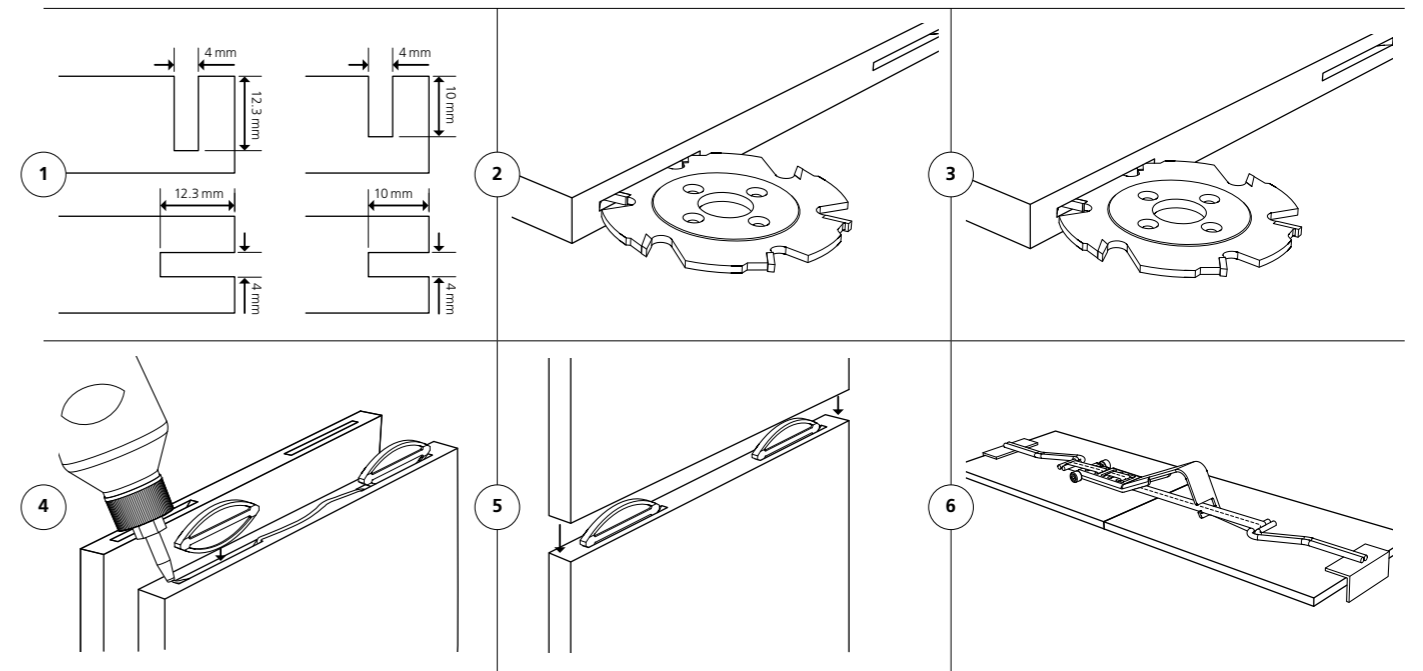
The white transparent plastic ensures that the connectors do not show through thin materials. The specific adhesive for composites can be used for the joints as well as for the biscuits. Since the C10 and C20 do not swell, these biscuits are also suitable for outdoor or wet areas. The sizes 10/20 match the sizes of the original wood biscuit.

## Articles

**C20** Art. No. **145010**  
250 pieces

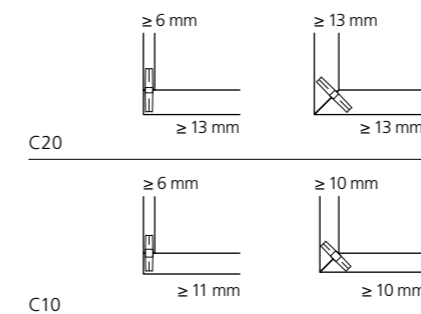
**C10** Art. No. **145012**  
300 pieces

## Function



## Technical data

### Joining methods



Size C20	61 × 23 × 4 mm
Size C10	53 × 19 × 4 mm
Cutter	Ø 100 × 4 × Ø 22 mm
Material connector	Plastic
Installation tolerance	Long. ± 1.0 mm/radial ± 1.0 mm
Clamping force (N)	Depending on the adhesive
Material range	Mineral material panels (e.g. Corian)

[www.lamello.com](http://www.lamello.com)  
Experience the connector live and receive comprehensive product information!



# Application examples

Lamello System

- **Furniture manufacturing:** Cupboards, wardrobes, shelves, furniture, wine racks, sideboards, TV furniture, show cases, drawers, dining tables
- **Interior fitting:** Doors, roof windows, wall panels, cladding, wall elements
- **Applications:** Corner connections, surface connections, frames, furniture plinths, face frame, fillers, kitchen benchtops, door linings
- **Material range:** Particle board, MDF, plywood, softwood, hardwood, HPL, solid surface materials

Original wood biscuit H9



C20



K20



Clamex S-18



Original wood biscuit 20

Clamex S-20



Original wood biscuit 0

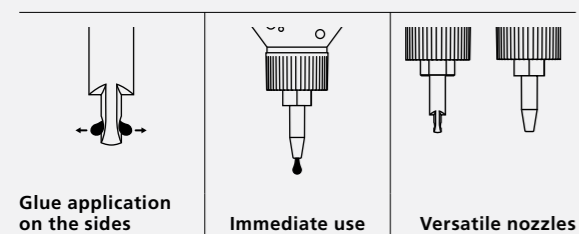


# Minicol

The all purpose glue applicator



## Features



Minicol is a universal glue applicator and the ideal solution for applying glue in 4 mm grooves.

Unlike with a glue bottle, the glue exits the nozzle on the sides. Therefore glue is applied to the groove sides instead of the groove bottom, resulting in better distribution and a more stable joint.

As the glue applicators are positioned with the nozzles facing downwards in the wooden base, the glue leaves the nozzle immediately and drying out is prevented. In addition to the plastic nozzle, a metal nozzle for biscuit grooves and a pointed nozzle are also available.

## Articles



<b>Minicol glue applicator</b>	Art. No.
With plastic nozzle for biscuit grooves	<b>175500</b>
With metal nozzle for biscuit grooves	<b>175550</b>



<b>Minicol pointed nozzle</b>	Art. No.
Plastic nozzle	<b>335522</b>

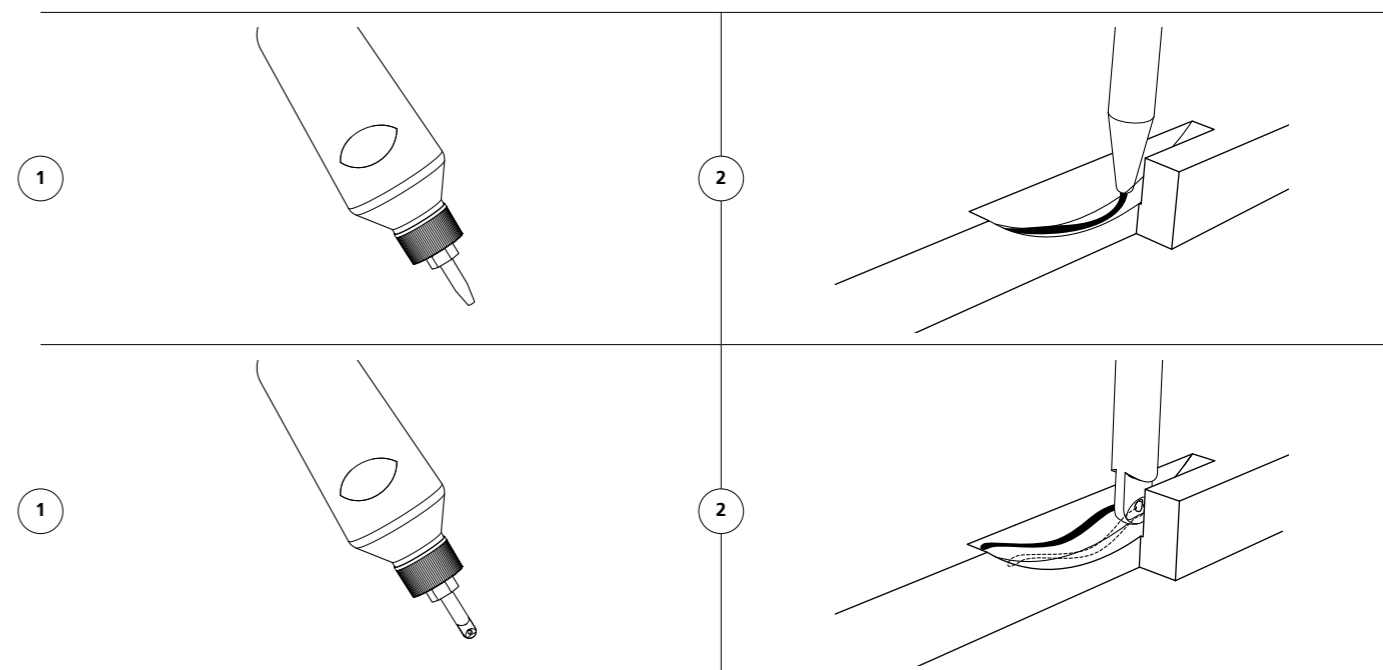


<b>Minicol nozzles for biscuit grooves</b>	Art. No.
Metal nozzle	<b>285512</b>
Metal nozzle for biscuits size H9	<b>285509</b>
Plastic nozzle	<b>335511</b>

[www.lamello.com](http://www.lamello.com)  
Experience the Minicol live and receive comprehensive product information!



## Function



## Technical data

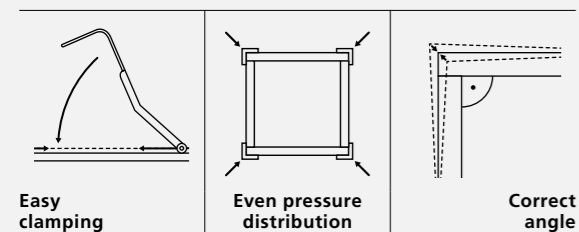
Dimension	100 x 100 x 230 mm	
Volume	300 ml	
Material	Base	Maple
	Bottle	Plastic
	Nozzle	Metal/Plastic

# Clamping set

Clamping system for cabinets



## Features



Clamping set is a system for glueing cabinets and various other components in furniture production and is an addition to the Lamello System. The clamping set consists of profile sections to protect the edges, 8 meter long straps with tensioners and two tension hooks. Unlike with screw clamps, the pressure distribution is always uniform, which means furniture is automatically clamped at right angles regardless of whether the panels are glued in a butt or mitre joint.

Clamping set is ideal for drawers, cabinets, frames or wall and floor panels.

## Articles



Clamping set		Art. No.
20 cm	1 piece of clamps 8 m strap 4 pieces profile sections 20 m	<b>175021</b>
60 cm	2 pieces of clamps 2 pieces 8 m straps 4 pieces profile sections 60 cm 2 pieces tension hooks	<b>175020</b>

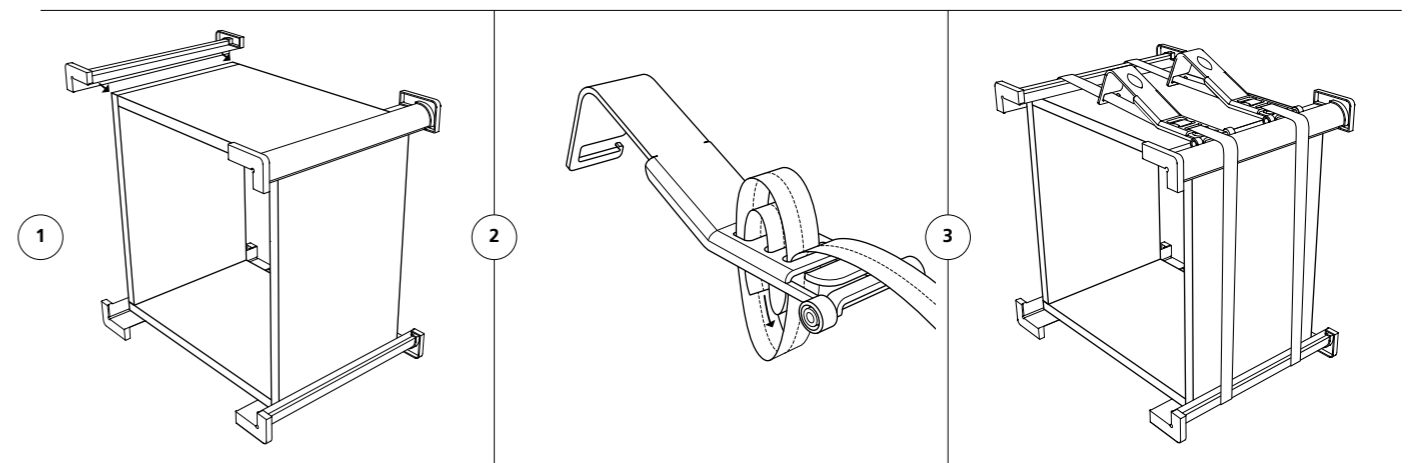


Tension hooks		Art. No.
2 pieces		<b>175200</b>



Profile sections		Art. No.
4 pieces, length 12 cm		<b>175401</b>
4 pieces, length 40 cm		<b>175402</b>
4 pieces, length 60 cm		<b>175403</b>

## Function



## Technical data

Min. workpiece length	150 mm	
Material	Aluminium protectors Polyester belt for clamps Clamps/Tension hooks	Anodised aluminium Polyester Metal powder-coated

[www.lamello.com](http://www.lamello.com)  
Experience the clamping set live and receive comprehensive product information!



# High performance without cable

LiHD battery pack

Ludwig Bauer, Teamleader Product Management

«With the lightweight, powerful 18 V LiHD 4.0 Ah battery pack, the Zeta P2 cordless is ideally equipped to cut longitudinal grooves for the Divario P-18 – even in solid wood.»



**Powerful!**  
Battery alliance with  
over 30 brands

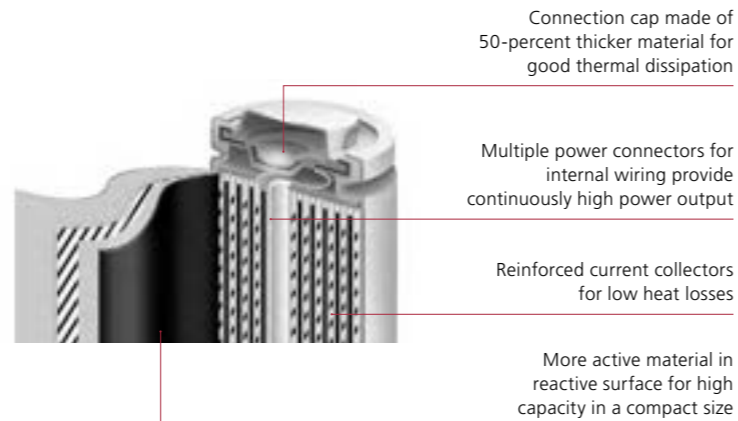
[www.cordless-alliance-system.com](http://www.cordless-alliance-system.com)



## LiHD: The world's most powerful battery system in the industry

A unique interplay of:

- Intelligent battery management for long-lasting high capacity
- Patented AIR-COOLED system for short charging times with hot batteries
- High-quality cell structure with 50-percent reduced internal resistance ensures full power even with a small battery pack



## Powerful 18 V LiHD battery pack either as 4.0 Ah or 5.5 Ah

### 18 V LiHD 4.0 Ah

- Included as standard battery in the set
- Compact, lightweight and powerful
- Suitable for all applications



### 18 V LiHD 5.5 Ah

- Available as an option for even longer working periods



# More flexible in the workshop

The ready-to-hand battery-powered biscuit joiner ensures greater efficiency and flexibility in the workshop.

- No tangling of the cable or the suction hose when machining large workpieces
- Cutting directly on the workpiece reduces the handling of bulky parts. There is also no need to disconnect and plug in the cable

- Quick production of furniture with different angles without complicated programming on the CNC
- Create prototypes without time-consuming machine setup. Unrestricted design freedom thanks to the wide variety of joining elements

- The cordless power tool can be used to easily adapt or add grooves in no time
- Corner connections are quickly and precisely cut directly at the work bench

## Large workpieces



## Fitted panels



- Easily and flexibly cut grooves in fitted panels on site, even if the furniture has been completely machined on the CNC
- Additional grooves on the longitudinal joint for fillers or pillar cladding are created extremely efficiently after fitting

## Exclusive individual pieces



## Roof window casing



- For renovation work, the grooves are only cut directly on site after fitting
- Cable-free work facilitates handling overhead and in hard-to-reach niches

## Adapting furniture



## Terrace floors



- Join components outdoors without access to a power connection
- No walkways between the processing site and the installation site, and no additional handling of the cable reel

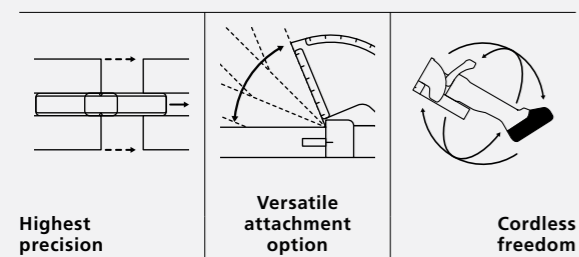


# Classic X cordless

The original biscuit joiner – precise and cordless



## Features



Classic X cordless is the original, battery-powered biscuit joiner from the inventor of the Lamello system for cutting the 4 mm groove. The proven and well-designed Classic X cordless is fast and versatile in its use and the basis for the wide range of connectors with fixed, self-clamping and detachable solutions. Precision in every component leads to perfect accuracy of the workpieces, and the cordless freedom means even more flexible application. The multifunctional stop square allows perfect mitres by applying on the exterior surface and stabilises the machine in vertical position.

## Articles



**Classic X cordless biscuit joiner** Art. No.

In systainer, incl. 2 batteries and charger, plug type C Euro **101701DES**

In systainer, without batteries, without charger **101700DES**

In carton, without batteries, without charger **101700DEK**

In systainer, incl. 2 batteries and charger, plug type G **101701GBS**

In systainer, without batteries, without charger **101700GBS**

In carton, without batteries, without charger **101700GBK**

*For other plug versions please contact your local Lamello specialist*



### Kit contains

Classic X cordless biscuit joiner, 2 x battery pack 18 V, LiHD 4.0 Ah\*, battery charger ASC 55\*, suction stub 36 mm, stop square, spacer 4 mm, dust bag, tool set

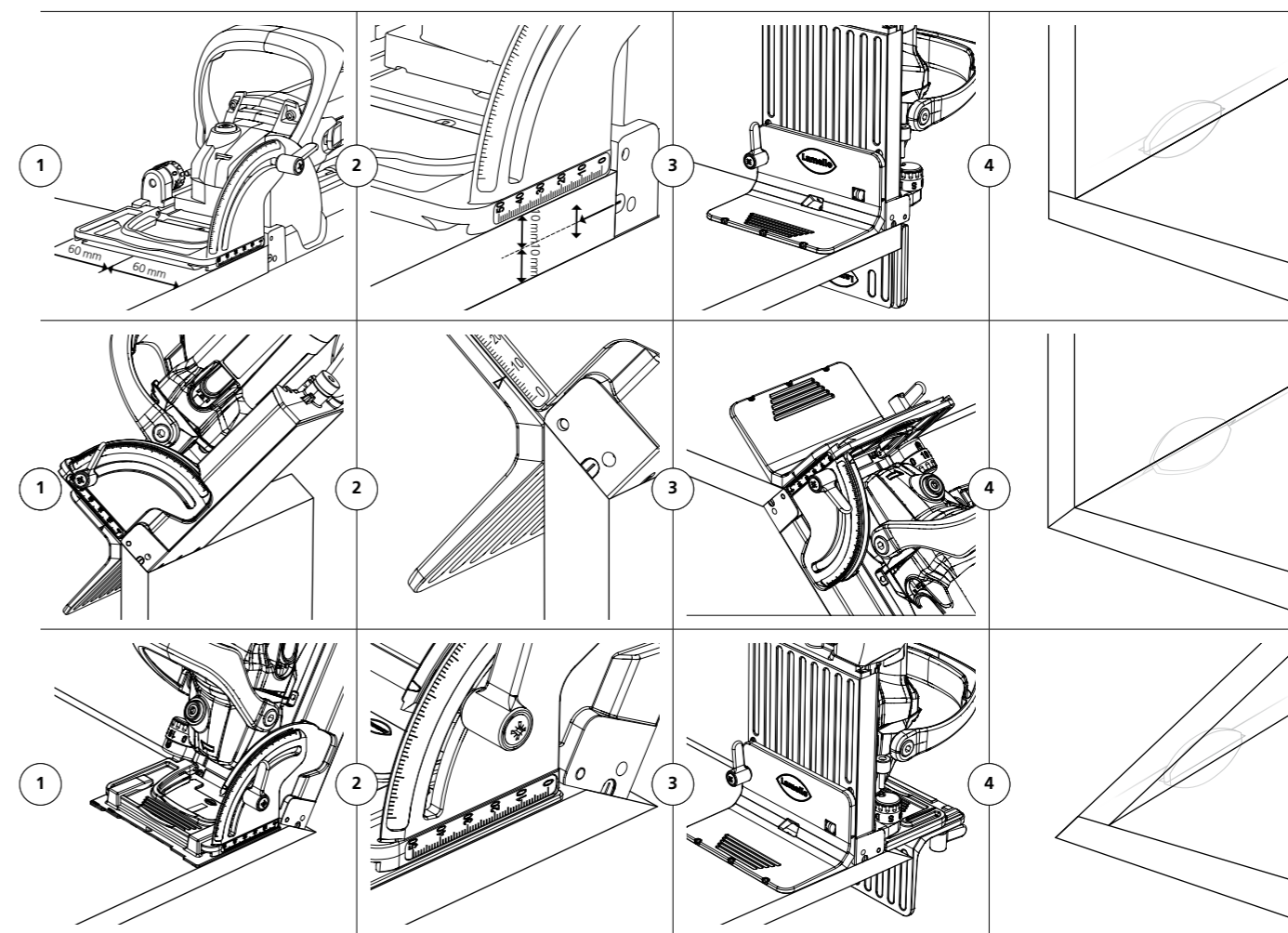
\* Only included in art. No. 101701DES/101701GBS

[www.lamello.com](http://www.lamello.com)

Experience Classic X cordless live and receive comprehensive product information!



## Function



## Technical data

Battery voltage	18 V	Groove width	4 mm
Speed	6000 min <sup>-1</sup>	Groove depth max.	20 mm
Cutter	Ø 100 x 4 x 22 mm	Weight	3.1 kg incl. battery

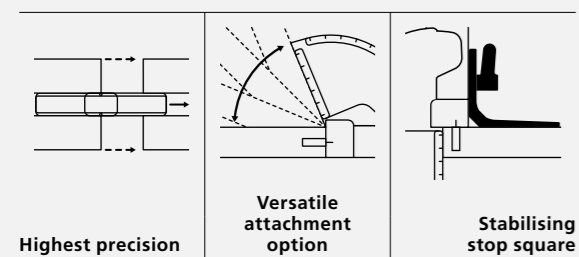


# Classic X

The original biscuit joiner for every workshop



## Features



Classic X is the original biscuit joiner from the inventor of the Lamello System for cutting the 4 mm groove.

The proven and well-designed Classic X is fast and versatile in its use and the basis for the wide range of connectors with fixed, self-clamping and detachable solutions.

Precision in every component leads to perfect accuracy of the workpieces and saves time. The multifunctional stop square allows perfect mitres by applying on the exterior surface and stabilises the machine in vertical position.

## Articles



Classic X	Art. No.
In systainer <sup>3</sup> M, plug type F Schuko	<b>101602DES</b>
In carton, plug type F Schuko	<b>101602DEK</b>
In systainer <sup>3</sup> M, plug type G	<b>101602GBS</b>
In carton, plug type G	<b>101602GBK</b>
In systainer <sup>3</sup> M, plug type C	<b>101602CHS</b>
In carton, plug type C Euro	<b>101602CHK</b>

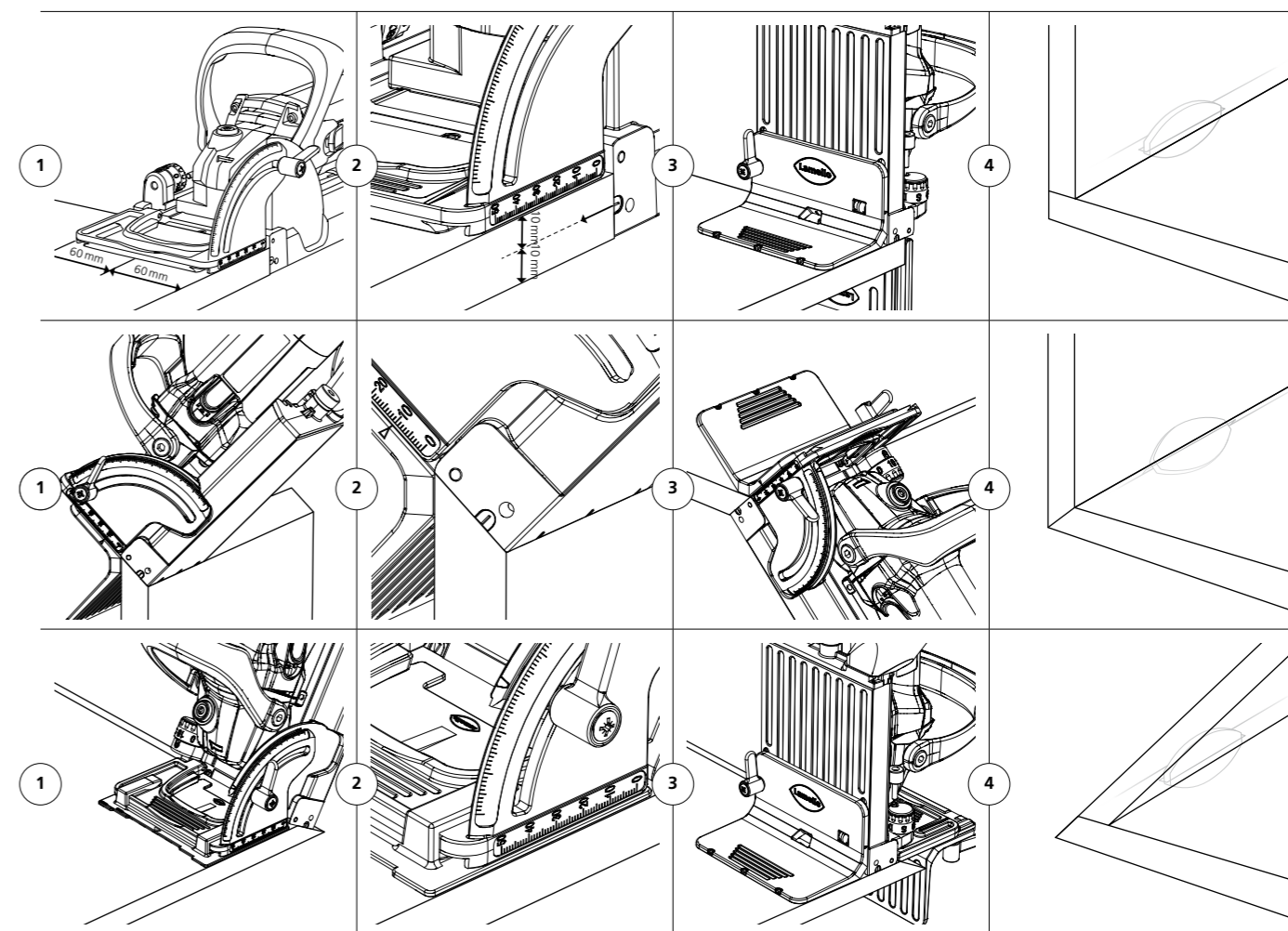
*For other plug versions please contact your local Lamello specialist*



### Kit contains

Classic X, groove cutter HW (carbide), suction stub 36mm, stop square, spacer 4 mm, tool set

## Function



## Technical data

Power/Voltage	850 W/230 V or 120 V	Teeth	Z6 (3+3) with reversing teeth
Speed	10000 min <sup>-1</sup>	Cutting depth max	20 mm
Cutter	Ø 100 × 4 × Ø 22 mm	Weight	2.9 kg

[www.lamello.com](http://www.lamello.com)  
Experience Classic X live and receive comprehensive product information!

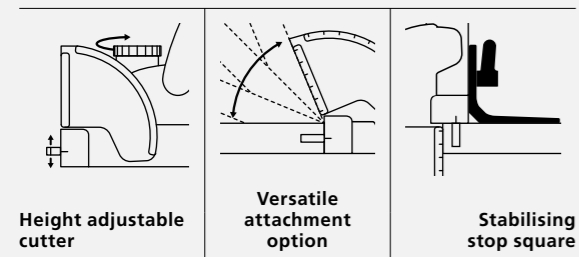


# Top 21

The original biscuit joiner with height adjustable blade from the inventor



## Features



Top 21 is the biscuit joiner from the inventor of the Lamello System and includes a height adjustable blade for cutting the 4 mm groove. The unique height adjustment of the cutter in steps from 0.1 mm to max. 4 mm allows positioning the groove in the middle of the material thickness.

Precision in every component leads to perfect accuracy of the workpieces and saves time. The multifunctional stop square allows perfect mitres by applying on the exterior surface and stabilises the machine in vertical position.



## Articles



<b>Top 21 with groove cutter HW (carbide)</b>	Art. No.
In systainer <sup>3</sup> M, plug type F Schuko	<b>101501DES</b>
In systainer <sup>3</sup> M, plug type G	<b>101501GBS</b>
In systainer <sup>3</sup> M, plug type C Euro	<b>101501CHS</b>

<b>Top 21 with carbide reversing blade cutter</b>	Art. No.
In systainer <sup>3</sup> M, plug type F Schuko	<b>101501DESW</b>

*For other plug versions please contact your local Lamello specialist*



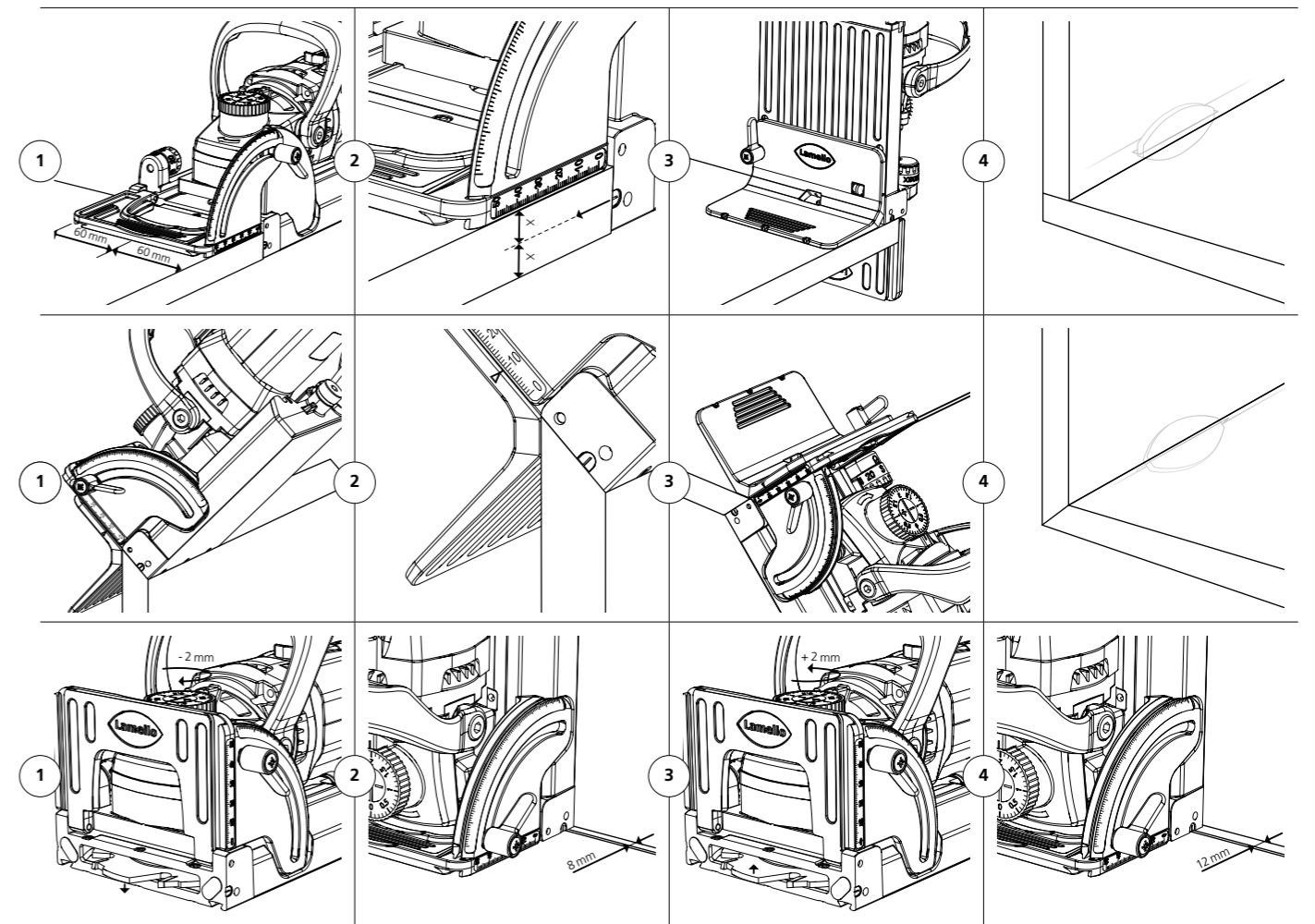
### Kit contains

Top 21, groove cutter HW, suction stub 36 mm, dust bag, stop square, spacer 4 mm, tool set

[www.lamello.com](http://www.lamello.com)  
Experience Top 21 live and receive comprehensive product information!



## Function



## Technical data

Power/Voltage	1 050 W/230 V 800 W/120 V	Teeth	Z2 + V4 with scoring teeth
Speed	9 000 min <sup>-1</sup>	Cutting depth max	20 mm
Cutter	Ø 100 × 4 × Ø 22 mm	Weight	3.5 kg

# Original Lamello biscuit joiners

These properties make the difference

## Features

**Multifunctional stop square** included in the kit

### Both sides flush surfaces

The baseplate, swivelling front and stop square are flush on both sides of the machine for efficient positioning of the biscuit joiner on the work piece's outer edge



**Vertical stability** by attaching to the baseplate to increase the surface



**Perfect precision of mitres** by applying on the outer surface for 22.5 and 45° angles



**Variable positioning of the groove** from the application surface 0–50 mm

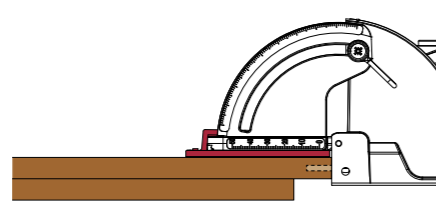
### Swivelling front with fixed rotational point

**Exactly the same referencing distances from either the swivelling front or the base plate = 8 mm**

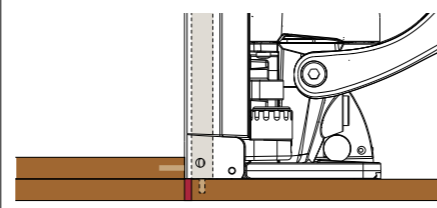
Allows alternating the application surface from the swivelling front **1.** to the baseplate **2.** Especially important when cutting thin dividing panel connections



- **Safe process** guarantees always precise, parallel grooves
- **No inaccuracies or source of mistakes** because the height cannot be adjusted



**Application with the swivelling front**  
With the 4 mm spacer for 12 mm dividing panel (groove in the centre)



**Application with the baseplate**  
The dividing panel (moved by 4 mm) serves as application surface

### High-precision machined application surfaces



– **CNC machined high-precision application surfaces** for exact application on the workpiece



– **Long-life precision guide** provides exact, parallel grooves for perfect fit of the workpieces

# Versatile use ...

... with various connecting elements.

Join workpieces at different angles and in different joining methods with the Classic X and Top 21. Suitable for individual pieces of furniture as well as prototypes and line production.

## With 4 mm Lamello System groove cutter



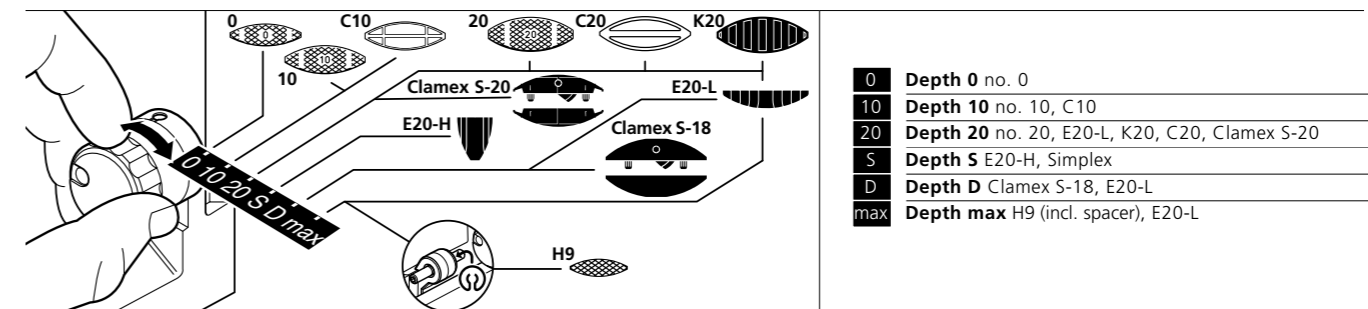
## With 8 mm Lamello System groove cutter



## With 3 mm Lamello System groove cutter

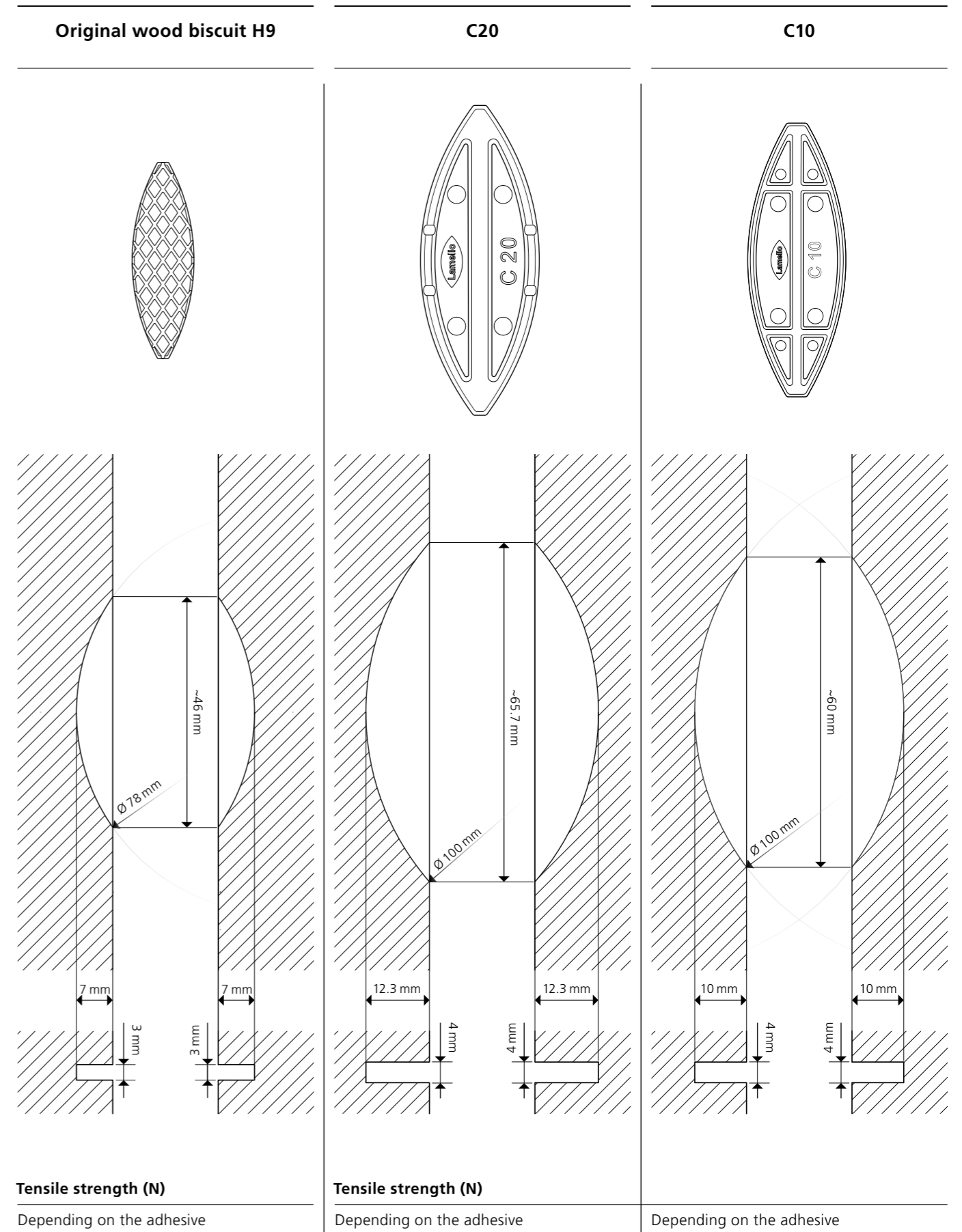
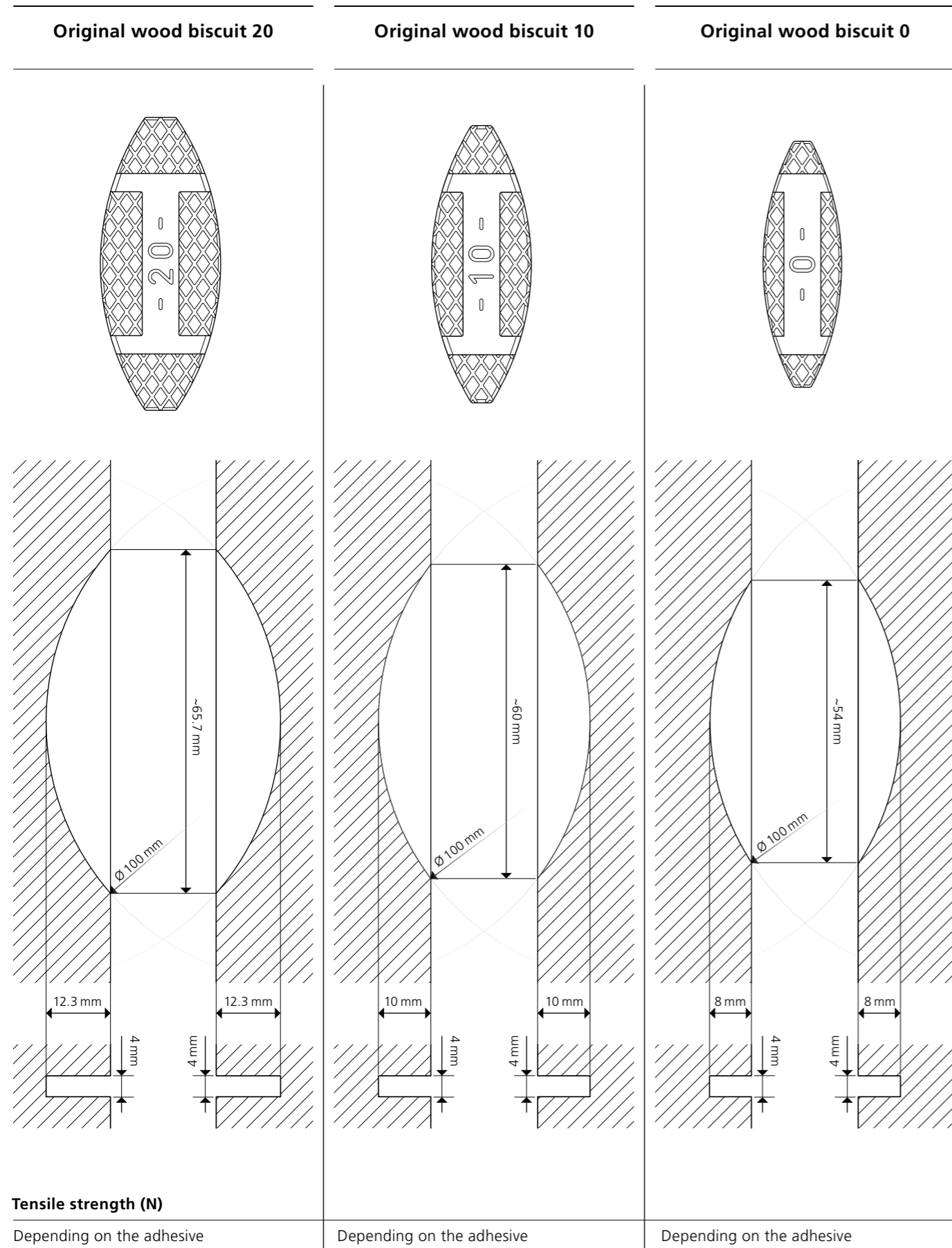


## Lamello depth adjustment system



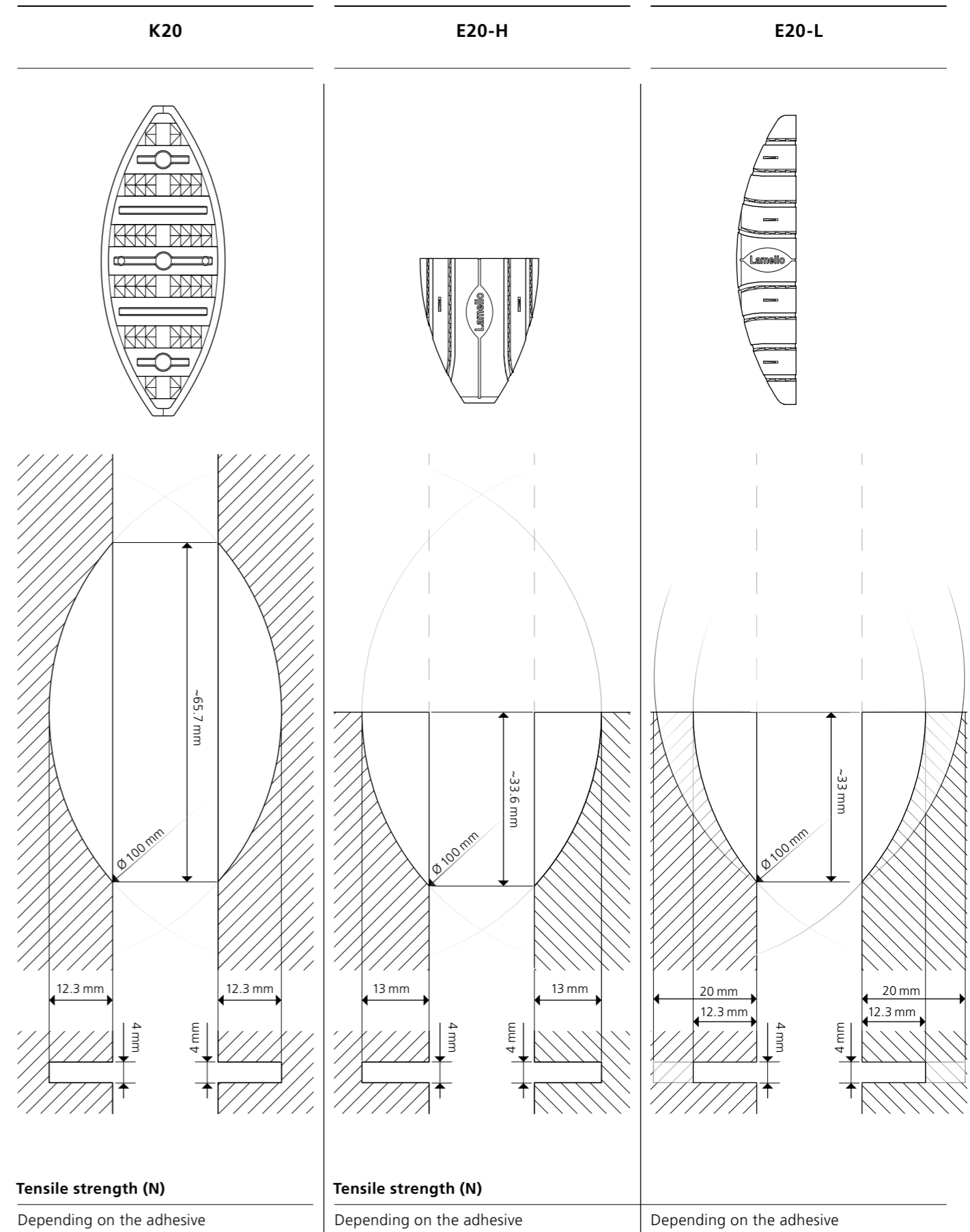
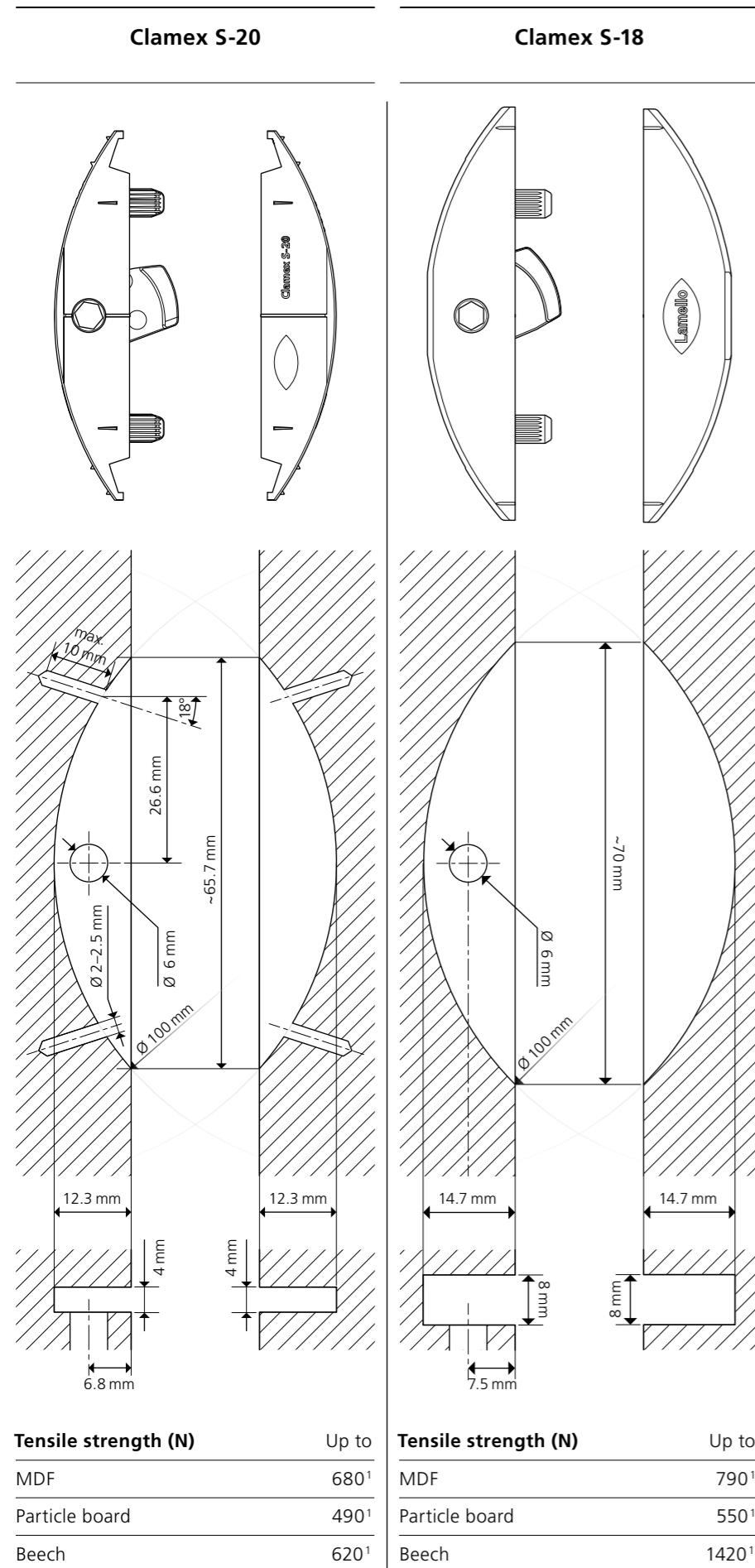
# Technical information

Overview of connectors + grooves (scale 1:1)



# Technical information

Overview of connectors + grooves (scale 1:1)



# Accessories / Spare Parts

Lamello System

## Lamello System



**Stop square for Zeta P2, Top 21, Classic X** Art. No. **251044**  
For stabilising the biscuit joiner in the vertical position, ideal for obtuse mitre joints



**Spacer for Zeta P2, Top 21, Classic X** Art. No. **253027**  
5 mm, aluminium for 18mm panels  
2 mm, plastic for 16 mm panels  
4 mm, plastic for mitres



**Slide shoe for biscuit joiner** Art. No. **251057**  
To protect the wall and the machine for Zeta P2/Top 21/Classic X



**Carbide tipped saw blades HW (carbide) for expansion gaps, Ø 100 x 2.4 x Ø 22 mm** Art. No. **132350**  
Z20, 4 screw holes, 2 spacers for Zeta P2/Top 21/Classic X



**Accessories for saw blades** Art. No. **322510**  
Spacer, Ø 40 x 1 x Ø 22 mm with screw holes for Zeta P2/Top 21/Classic X



**Flange M8 to saw blades** Art. No. **252502**



**Groove cutter HW (carbide), Ø 100 x 4 x Ø 22 mm** Art. No. **132000**  
Z2 + V4 scoring teeth, 4 screw holes, hub for Zeta P2/Top 21/Classic X



**Z6 alternating teeth, without hub, with spacer** Art. No. **132106**  
for Classic X



**Groove cutter HW (carbide), Ø 78 x 3 x Ø 22 mm** Art. No. **132009**  
Z4, 4 Screw holes, with hub for original wooden biscuit H9 for Zeta P2/Top 21/Classic X



**Groove cutter HW (carbide) with reversible blades, Ø 100 x 4 x Ø 22 mm** Art. No. **132001**  
Z2 + V2, 4 screw holes with hub for Zeta P2/Top 21/Classic X  
Set of 4 pieces **132111**  
Countersunk screws **352408T**  
Allen key, 4 mm **271959L**



**Groove cutter HW (carbide) with reversible blades, Ø 100 x 4 x Ø 22 mm** Art. No. **132130**  
Z4 + V4, 4 screw holes without hub, with spacer for Zeta P2/Top 21/Classic X  
Set of 10 pieces main teeth **132134**  
Set of 10 pieces scoring teeth **132135**  
Replcement set, 4 scoring teeth + 4 main teeth **132133**  
Screws **352130**  
Torx key **352133**



**Groove cutter HW (carbide) with reversible blades, Ø 100 x 8 x Ø 22 mm (Clamex S-18 connector)** Art. No. **132108**  
Z4 + V4, 4 screw holes for Top 20/Top 21/Classic X  
Set of 10 pieces scoring teeth **132137**  
Set of 10 pieces main teeth **132136**  
Replcement set, 4 scoring teeth + 4 main teeth **132114**



**Dust bag** Art. No. **257532**  
For Zeta P2/Top 21/Classic X

**Suction stub 36 mm** Art. No. **331007**  
For biscuit joiner (Festool compatible)

## Batteries



**Batteries** Art. No. **313013**  
Battery pack 18 V, LiHD 4.0 Ah **313013**  
Battery pack 18 V, LiHD 5.5 Ah **313015**  
Battery charger ASC 55, plug type C Euro **123100DE**  
Battery charger ASC 55, plug typeG **123100GB**

# Accessories/ Spare Parts

Lamello System

## Lamello System



<b>Systainer<sup>3</sup> M187, with insert and 6 partitions</b>	Art. No.
Systainer <sup>3</sup> M187, with insert and 6 partitions	<b>331579E</b>
Systainer <sup>3</sup> M187, empty	<b>331579</b>



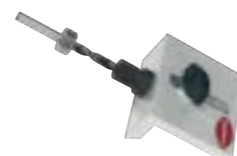
Insert with two partitions for Systainer <sup>3</sup> M187	Art. No.
	<b>360024</b>
Divider for insert 360024	<b>360019</b>



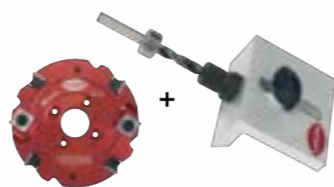
<b>Systainer<sup>3</sup> M187 plastic insert</b>	Art. No.
For Zeta P2/Top21/Classic X	<b>360020</b>



<b>Sortainer</b>	Art. No.
Sortainer incl. dividers	<b>331581</b>
RAL 7035 light grey, RAL 3004 purple red	



<b>Clamex S-18 drill jig</b>	Art. No.
Clamex S drill jig 30°–150°, with 6 mm drill complete	<b>125240</b>



<b>Clamex S-18 set</b>	Art. No.
Drill jig for 30°–150° incl. drill and carbide tipped groove cutter with drill jig and cutter includes 1 set 125240 and 1 piece 132108	<b>125250</b>



<b>Clamex S-20 drill jig</b>	Art. No.
Incl. drill Ø 6 mm	<b>125253</b>



<b>Clamex S-20 Drilling and alignment jig</b>	Art. No.
Clamex S-20 Drilling and alignment jig	<b>125254</b>



<b>Torx-Bit</b>	Art. No.
1/4" TX 10 L=25	<b>121281</b>



<b>Clamex wood drill</b>	Art. No.
Ø 6 mm	<b>131506</b>



<b>Clamex assembly tool</b>	Art. No.
For all angles, fast and flexible, hex 4 x 30 mm, length 290 mm	<b>251993</b>

## Clamping set parts



<b>Clamps</b>	Art. No.
5 m clamping strap	<b>175005</b>
8 m clamping strap	<b>175008</b>
10 m clamping strap	<b>175010</b>



<b>Buckle for clamps</b>	Art. No.
1 piece, without strap	<b>175060</b>



<b>Polyester strap for clamps</b>	Art. No.
1 roll of 50 m	<b>175050</b>



	Art. No.
Per meter m <sup>1</sup>	<b>335000</b>








<b>Tension hooks</b>	Art. No.
2 pieces	<b>175200</b>



<b>Profile sections</b>	Art. No.
4 pieces, length 12 cm	<b>175401</b>
4 pieces, length 40 cm	<b>175402</b>
4 pieces, length 60 cm	<b>175403</b>

# Overview of connectors

		Quantity	Art. No.	Material strength (mm)				Product page	Product drawing 1:1		
				1	2	3	4				
<b>Lamello System</b>											
	<b>Original wood biscuit</b> Glueing	<b>Original wood biscuit 20</b>		1000	<b>144020</b>						
		<b>Original wood biscuit 10</b>		1000	<b>144010</b>	≥ 6	≥ 13	≥ 26	≥ 12	P. 8	P. 38
		<b>Original wood biscuit 0</b>		1000	<b>144000</b>		≥ 11	≥ 21	≥ 10	P. 8	P. 38
		<b>Original wood biscuit H9</b>		1000	<b>144009</b>	≥ 5	≥ 9	≥ 17	≥ 9	P. 8	P. 38
	<b>C20/10</b> Glueing	<b>C20</b>		250	<b>145010</b>	≥ 6	≥ 13	≥ 26	≥ 13	P. 18	P. 39
		<b>C10</b>		300	<b>145012</b>		≥ 11	≥ 21	≥ 10	P. 18	P. 39
	<b>Clamex S</b> Detachable	<b>Clamex S-20</b>		20	<b>145243</b>						
				80	<b>145244</b>	≥ 8	≥ 16	≥ 32	≥ 14	P. 12	P. 40
				300	<b>145245</b>						
				1000	<b>145246</b>						
		<b>Clamex S-18</b>		18	<b>145231</b>						
				80	<b>145236</b>	≥ 12	≥ 16	≥ 36	≥ 18	P. 14	P. 40
	<b>E20</b> Inserted	<b>E20-H</b>		80	<b>145021</b>	≥ 8	-	-	≥ 14	P. 10	P. 41
				400	<b>145026</b>						
				1200	<b>145028</b>						
<b>E20-L</b>		80	<b>145022</b>	≥ 8	-	-	≥ 25	P. 10	P. 41		
		400	<b>145025</b>								
		1200	<b>145027</b>								
	<b>K20</b> Inserted	<b>K20</b>		80	<b>145001</b>	≥ 8	≥ 14	≥ 25	≥ 14	P. 16	P. 41
				250	<b>145000</b>						

## Disclaimer regarding load limits

Wherever we list information on material strength or loads for our products, they are empirical values of load limits, based on specifically defined test conditions similar to DIN 68501:2016-11. Specific characteristics, in particular to the effect that the products will reach the listed loads in the actual used case, are not thereby guaranteed. Rather, it is the responsibility of the respective user to check and ensure the suitability of the products for each specific used case. Since actual load limits substantially depend on circumstances unrelated to the products themselves, e.g. the properties of the carrier materials used, the selection of suitable screws, the assembly or the installation environment, any advice provided by us in the form of a product recommendation with regard to a specific suitability is always non-binding and does not release the user from his or her own examination.

**To the maximum extent possible under the law, all warranties, express or implied are DISCLAIMED. This includes, but is not limited to, any warranty of fitness for a particular purpose or merchantability. We undertake no responsibility that the goods except as may be included in any contract, and we assume no responsibility that the goods will be fit for any particular purpose, except as may be provided in any contract.**

Subject to modifications and amendments. Plastic parts may vary in colour due to the production process. Colour specifications are for guidance only.

© Lamello AG. The content of this brochure is protected by copyright and cannot be used for any other purpose without the written consent of Lamello AG.





Lamello



The image shows a close-up of wood joinery components. At the top, two black plastic Lamello brackets are shown on a light-colored wooden surface. Below them, a thick, textured cork strip is visible. Underneath the cork is a layer of light-colored wood. In the foreground, a dark wood beam is shown with a black plastic Lamello bracket attached to its end. The background is a solid red color.

Manufacturer:  
**Lamello AG**  
**Joining technology**  
Hauptstrasse 149  
CH-4416 Bubendorf  
Tel. +41 61 935 36 36  
Fax +41 61 935 36 06  
info@lamello.com  
www.lamello.com