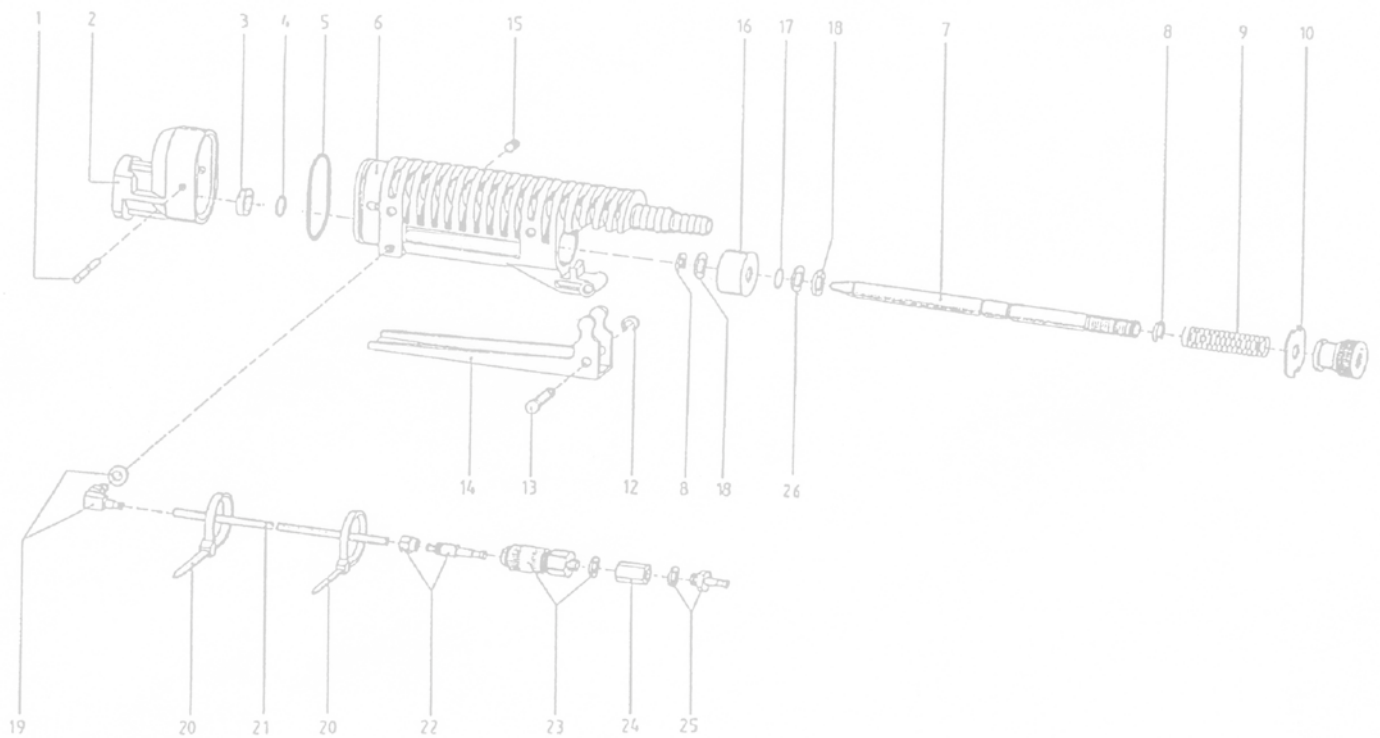


Spare parts, Accessories/Tools

Gluing System



January 2024

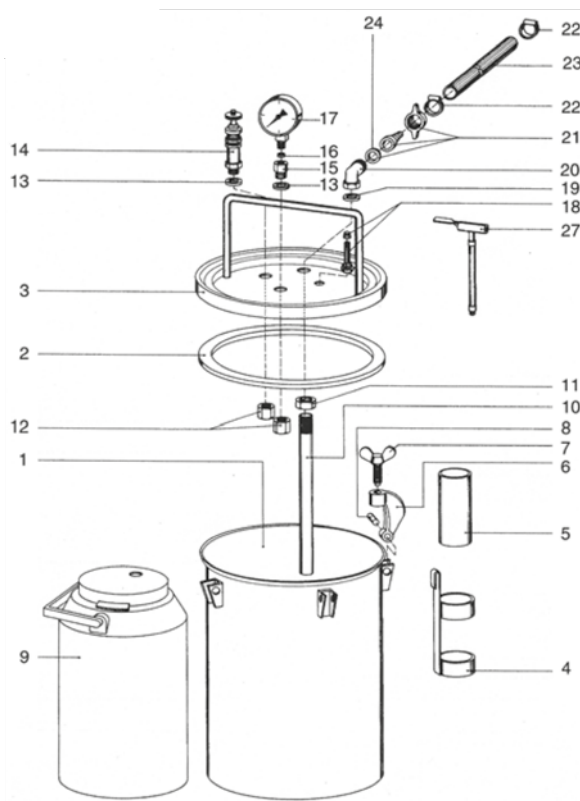
Remarks: Lamello has made – and will continue to make – great efforts to provide and up-to-date information. However, we cannot guarantee that the information contained here is accurate or complete. We reserved the right to carry out technical modifications at any time without prior notice. Our general terms and conditions of sale are applicable.



Spare parts Gluing System		
Glue applicator LK 3	Spare parts	4–5
Glue applicator LK 5	Spare parts	6–7
Glue applicator LK 10	Spare parts	8–9
Glue applicators LK 3, LK 5, LK 10	Accessories/Tools	10–12
Glue pistol LK 0	Spare parts	13
	Accessories/Tools	14
Glue pistol LK 100	Spare parts	15
	Accessories/Tools	16
Glue pistol LK 110	Spare parts	17
Gluing nozzles	Accessories/Tools	18–21
Leimgerät LK 5 PUR	Spare parts	22–23
Glue pistol LK 0 PUR	Spare parts	24
Gluing nozzles PUR	Accessories/Tools	25
Minicol	Accessories/Tools	26
Dosicol	Spare parts	27

Click on the product name to get to the relevant page

Spare parts



Pos.	Description	Art. No.	Availability
12, 13, 14	Safety valve complete		
12, 13, 15, 16, 17	Manometer complete		
2, 3, 10-20	Cover complete		
4, 5	Water reservoir complete		
21-23	Standard hose complete		
1	Pressure tank	552009	31.12.2030
2	Joint ring Ø 190 / 210 x 7 mm	552012	31.12.2030
3	Cover	552011	31.12.2030
4	Water reservoir holder	552024	31.12.2030
5	Bottle Ø 62 / 60 mm	552025	31.12.2030
6	Clamping clip	552026	31.12.2030
7	Thumb screw	552027	31.12.2030
8	Slotted pin	552028	31.12.2030
9	Water reservoir compl. with holder	see Accessories/Tools	
10	Lifting tube	552031	31.12.2030
11	Hexagonal nut 3 / 8"	552021	31.12.2030
12	Counter nut SW 19 mm	552022	31.12.2030
13	Joint Ø 13 / 24 x 2.5 mm	552052	31.12.2030
14	Safety valve 5 bar	552013	31.12.2030
15	Manometer connection	552016	31.12.2030
16	Joint Ø 5 / 11 x 3 mm	552050	31.12.2030
17	Manometer	552015	31.12.2030
18	Rubber valve	552017	31.12.2030
19	Joint Ø 17 / 30 x 3 mm	552053	31.12.2030
20	Connection bend	552018	31.12.2030
21	Hose connection ½" x 10 mm	552019	31.12.2030

¹ Year of discontinuation: 2020

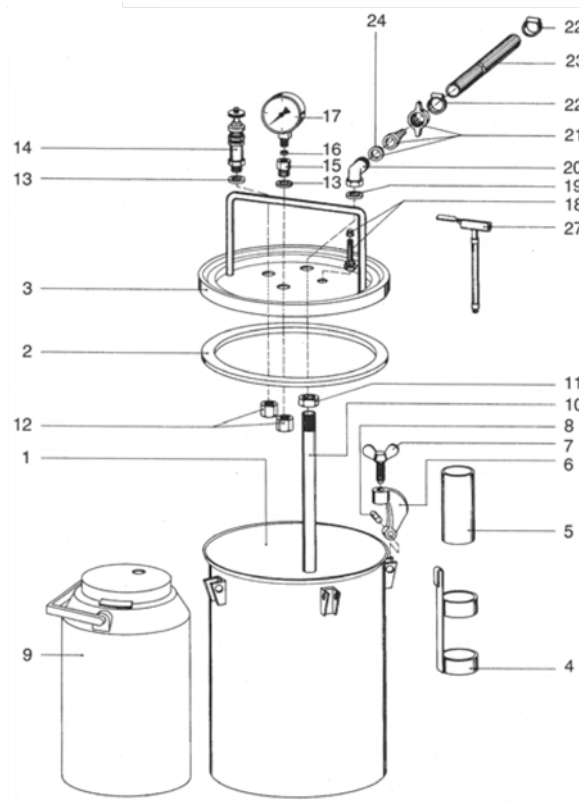
Continued on next page



Glue applicator LK 3¹

Gluing System

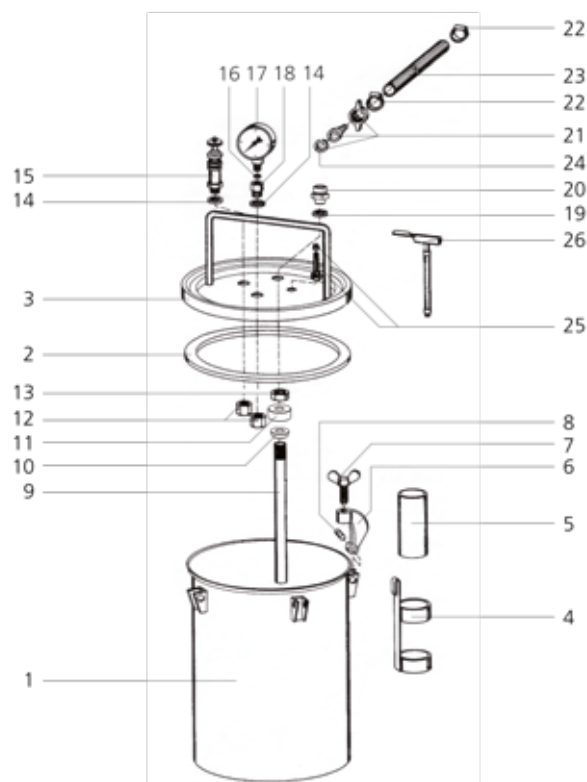
Spare parts



Pos.	Description	Art. No.	Availability
22	Hose clip 8–16 mm	552020	31.12.2030
23	Standard hose per meter Ø 10 / 16 mm	see Accessories/Tools	
24	Joint Ø 11 / 18 × 2 mm	552054	31.12.2030
27	Pump hose	see Accessories/Tools	

¹Year of discontinuation: 2020

Spare parts



Pos.	Description	Art. No.	Availability
12, 13, 14	Safety valve complete		
12, 13, 15, 16, 17	Manometer complete		
2, 3, 10-20	Cover complete		
4, 5	Water reservoir complete		
21-23	Standard hose complete		
1	Pressure tank	552010	31.12.2030
2	Joint ring Ø 190 / 210 × 7 mm	552012	31.12.2030
3	Cover	552011	31.12.2030
4	Water reservoir holder	552024	31.12.2030
5	Bottle Ø 62 / 60 mm	552025	31.12.2030
6	Clamping clip	552026	31.12.2030
7	Thumb screw	552027	31.12.2030
8	Slotted pin	552028	31.12.2030
9	Water reservoir compl. with holder	see Accessories/Tools	
10	Lifting tube	552023	31.12.2030
11	Hexagonal nut 3 / 8"	552021	31.12.2030
12	Counter nut SW 19 mm	552022	31.12.2030
13	Joint Ø 13 / 24 × 2.5 mm	552052	31.12.2030
14	Safety valve 5 bar	552013	31.12.2030
15	Manometeranschluss	552016	31.12.2030
16	Joint Ø 5 / 11 × 3 mm	552050	31.12.2030
17	Manometer connection	552015	31.12.2030
18	Rubber valve	552017	31.12.2030
19	Joint Ø 17 / 30 × 3 mm	552053	31.12.2030
20	Connection bend	552018	31.12.2030
21	Hose connection ½" 10 mm	552019	31.12.2030

¹ Year of discontinuation: 2020

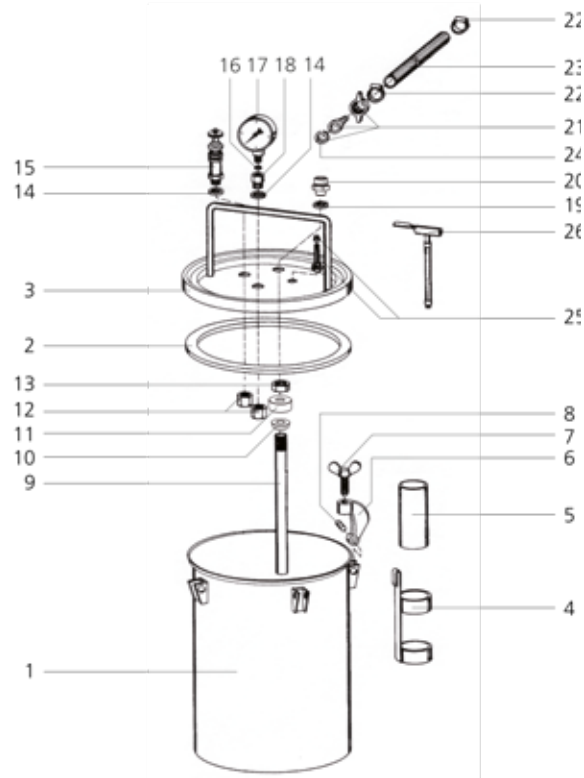
Continued on next page



Glue applicator LK 5¹

Gluing System

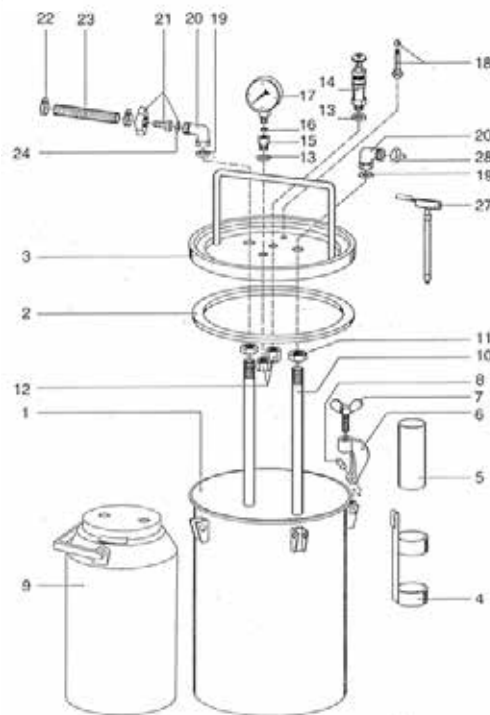
Spare parts



Pos.	Description	Art. No.	Availability
22	Hose clip	552020	31.12.2030
23	Standard hose per meter Ø 10 / 16mm	see Accessories/Tools	
24	Joint Ø 11 / 18 x 2mm	552054	31.12.2030
27	Pump hose	see Accessories/Tools	

¹Year of discontinuation: 2020

Spare parts



Pos.	Description	Art. No.	Availability
12, 13, 14	Safety valve complete		
12, 13, 15, 16, 17	Manometer complete		
2, 3, 10-20	Cover complete.		
4, 5	Water reservoir complete		
21-23	Standard hose complete		
1	Pressure tank	552041	31.12.2030
2	Joint ring Ø 262 / 293 × 12 mm	552043	31.12.2030
3	Cover	552042	31.12.2030
4	Water reservoir holder	see Accessories/Tools	
5	Bottle Ø 62 / 60 mm	see Accessories/Tools	
6	Clamping clip	552026	31.12.2030
7	Thumb screw	552027	31.12.2030
8	Slotted pin	552028	31.12.2030
9	Water reservoir compl. with holder	see Accessories/Tools	
10	Lifting tube	552044	31.12.2030
11	Hexagonal nut 3 / 8"	552021	31.12.2030
12	Counter nut SW 19 mm	552022	31.12.2030
13	Joint Ø 13 / 24 × 2.5 mm	552052	31.12.2030
14	Safety valve	552013	31.12.2030
15	Manometer connection	552016	31.12.2030
16	Joint Ø 5 / 11 × 3 mm	552050	31.12.2030
17	Manometer	552015	31.12.2030
18	Rubber valve	552017	31.12.2030
19	Joint Ø 17 / 22 × 3 mm	552053	31.12.2030
20	Connection bend	552018	31.12.2030

¹ Year of discontinuation: 2020

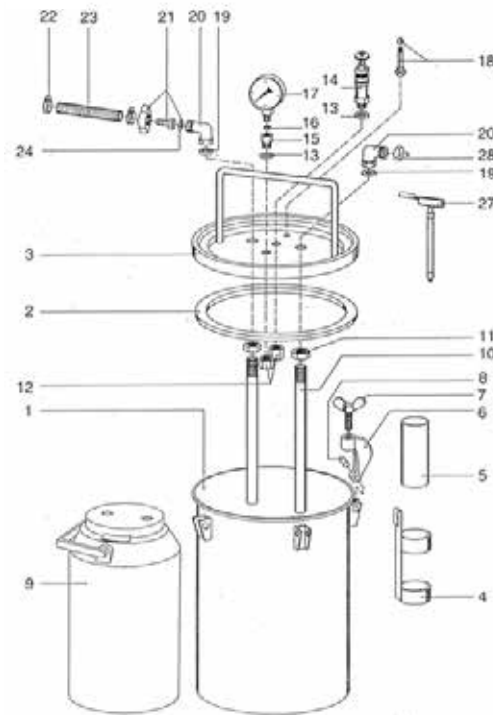
Continued on next page



Glue applicator LK 10¹

Gluing System

Spare parts



Pos.	Description	Art. No.	Availability
21	Hose connection 1/2" x 10 mm	552019	31.12.2030
22	Hose clip	see Accessories/Tools	
23	Standard hose per meter Ø 10 / 16 mm	see Accessories/Tools	
24	Joint Ø 11 / 18 x 2 mm	552054	31.12.2030
27	Pump hose	see Accessories/Tools	
28	Locking cap	552045	31.12.2030









¹Year of discontinuation: 2020

Continued on next page



Glue applicators LK 3¹, LK 5¹, LK 10¹

Accessories/Tools

	Description	Art. No.	Availability
	LK 3, LK 5, LK 10 LK Service cart, 410 x 410 x 850 mm The mobile station for LK 10, LK 5 and LK 3: – Adjustable suspension rod – Incl. service container cover and grid basket to submerge nozzles in water when not in use, volume 3 l (533255)	533205	31.12.2025
	LK Rolling base with handle, 254 x 254 x 820 mm for LK 5 and LK 3: – On 4 wheels with pushing handle – Complete with water container and hook for suspension of hose	533204	31.12.2025
	LK Rolling base, 254 x 254 mm Allows pulling behind by hose of LK 5 and LK 3: – Lowered platform for stability of the glue applicators	533201	31.12.2025
	Connector 3/4" for water tap	533250	31.12.2025
	Connector US for water tap	533251	31.12.2025
	Cleaning brush, Ø 40 x 100 mm, length 340 mm	533252	31.12.2025
	Cleaning brush, round Ø 5 mm, length 340 mm	533253	31.12.2025
	Service container, Volume 3 Litres with mesh basket for 533205	533255	31.12.2025










¹ Year of discontinuation: 2020

Continued on next page



Glue applicators LK 3¹, LK 5¹, LK 10¹

Accessories/Tools

	Description	Art. No.	Availability
	Water reservoir complete, inside dimensions 134 × 60 × 60 mm	533261	31.12.2025
	Distributor for 2 – 3 additional hoses	533238	31.12.2025
	Connector with external thread, M8	533230	31.12.2025
	Connector with 2 screws, M4 × 10	533240	31.12.2025
	Connector for round nozzle + pointed nozzle	583208	31.12.2025
	Hose mounted, Ø 10 × 4000 mm, Standard	533215	31.12.2025
	Hose mounted, Ø 13 × 4000 mm, for larger amounts of glue	533216	31.12.2025
	Hose, Ø 10 mm per meter	553210	31.12.2025
	Hose, Ø 13 mm per meter	553213	31.12.2025










¹Year of discontinuation: 2020

Continued on next page

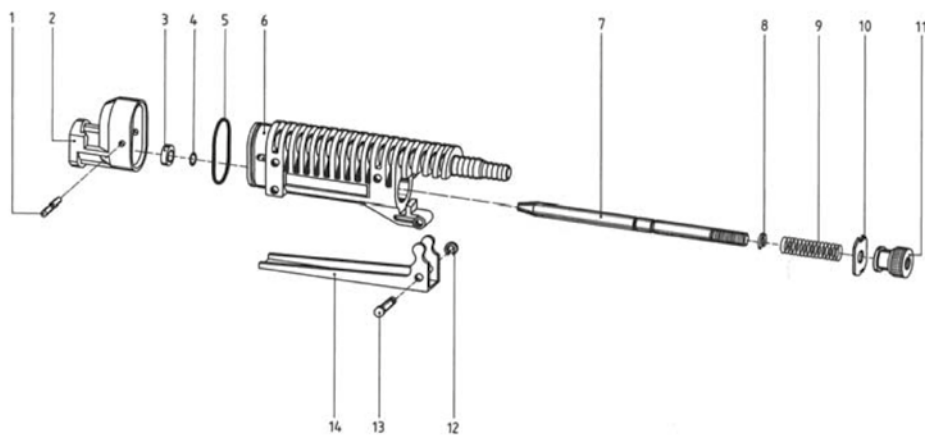


Glue applicators LK 3¹, LK 5¹, LK 10¹

Accessories/Tools

	Description	Art. No.	Availability
	Hose connector set, Ø 10 mm	533222	31.12.2025
	Hose connector set, Ø 13 mm	533223	31.12.2025
	Empty glue container incl. cover with 1 hole, 3 kg	533224	31.12.2025
	Empty glue container incl. cover with 1 hole, 5 kg	533225	31.12.2025
	Empty glue container incl. cover with 2 holes, 10 kg	533226	31.12.2025
	Lid for glue container without hole, 5 kg	553205	31.12.2025
	Lid for glue container without hole, 10 kg	553224	31.12.2025
	Bracket with 2 screws for roller nozzle	552822	31.12.2025
	Pump hose	552029	31.12.2025

¹Year of discontinuation: 2020



Pos.	Description	Art. No.	Availability
3, 4, 5	Set of joint	552220	31.12.2030
1, 2, 3, 4, 5, 7, 8	Set of repair	552221	31.12.2030
1	Pin	552201	31.12.2030
2	Pistol head	552202	31.12.2030
3	Joint Ø 12.4 / 5.6 × 3 mm	552203	31.12.2030
4	Jointing ring Ø 6.07 × 1.78 mm	552204	31.12.2030
5	Jointing ring Ø 26 × 2 mm	552205	31.12.2030
6	Housing	552206	31.12.2030
7	Needle	552207	31.12.2030
8	Locking disk 4 mm	552208	31.12.2030
9	Compression spring 40 × 10 × 1.7 mm	552209	31.12.2030
10	Plate	552210	31.12.2030
11	Metering nut	552211	31.12.2030
12	Locking disk 2.3 mm	552212	31.12.2030
13	Bolt	552213	31.12.2030
14	Lever	552214	31.12.2030

¹ Year of discontinuation: 2020




Glue pistol LK0¹

Gluing System

Accessories/Tools

Description	Art. No.	Availability
Glue pistol LK-0	512200	31.12.2025



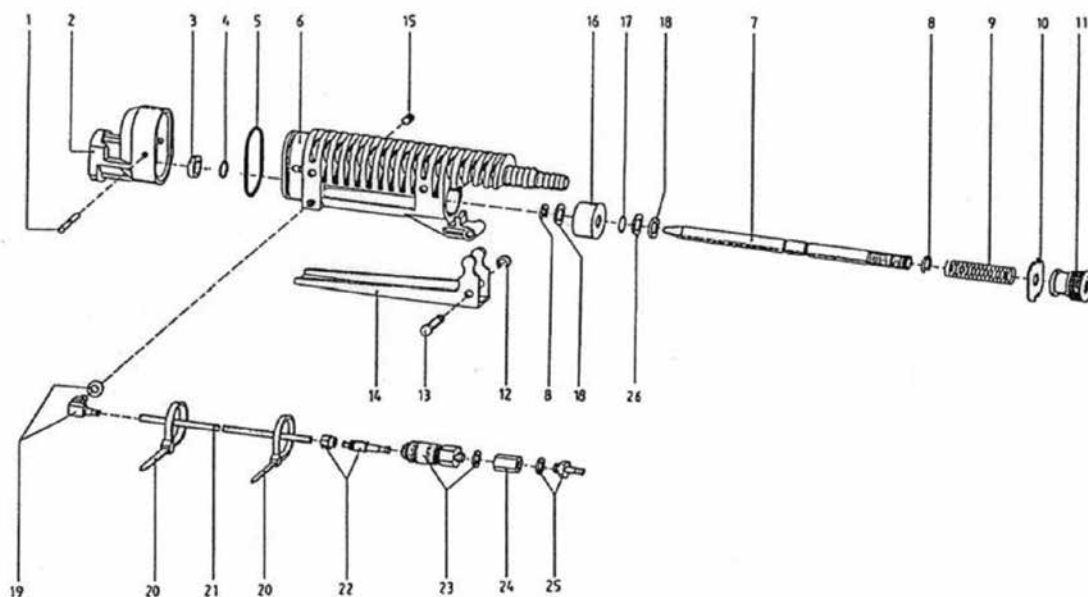
¹Year of discontinuation: 2020



Glue pistol LK 100¹

Gluing System

Spare parts



Pos.	Description	Art. No.	Availability
3,4,5,16,17	Set of joint	552222	31.12.2027
1,2,3,4,5,7,8,16,17,18,26	Set of repair	552223	31.12.2027
1	Pin	552201	31.12.2030
2	Pistol head	552202	31.12.2030
3	Joint Ø 12.4 / 5.6 × 3 mm	552203	31.12.2030
4	Jointing ring Ø 6.07 × 1.78 mm	552204	31.12.2030
5	Jointing ring Ø 26 × 2 mm	552205	31.12.2030
6	Pneumatic housing	552230	31.12.2027
7	Needle	552207	31.12.2030
8	Locking disk 4 mm	552208	31.12.2030
9	Compression spring 40 × 10 × 1.7 mm	552209	31.12.2030
10	Plate	552210	31.12.2030
11	Metering nut	552211	31.12.2030
12	Locking disk 2.3 mm	552212	31.12.2030
13	Bolt	552213	31.12.2030
14	Lever	552214	31.12.2030
15	Screwed pin M5 × 6 mm	554052	31.12.2027
16	Cup packing Ø 20 / 6 × 10 mm	552231	31.12.2027
17	Jointing ring 5.28 × 1.78 mm	552232	31.12.2027
18	Wheel 6.4 / 12 × 1.6 mm	552234	31.12.2027
19	Nipple screwing	552241	31.12.2027
20	Cable clamp Ø 2.5 × 100 mm	552242	no more available
21	Hose PU-3 blue	552243	no more available
22	Coupling plug	552244	31.12.2027
23	Coupler socket	552245	31.12.2027
24	Bushing	552246	31.12.2027
25	Nipple	552247	no more available
26	Wheel Ø 8.4 / 16 × 1.6 mm	552233	31.12.2027


¹ Year of discontinuation: 2017



Glue pistol LK 100¹

Gluing System

Accessories/Tools

	Description	Art. No.	Availability
	Pneumatic glue pistol LK 100	512210	31.12.2024

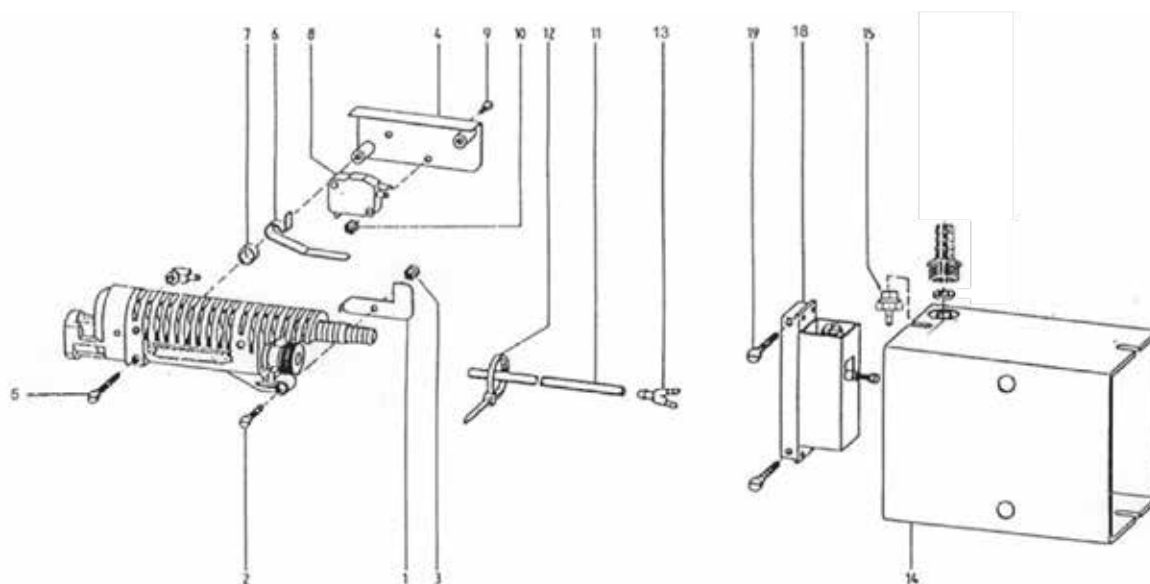
¹Year of discontinuation: 2017



Glue pistol LK 110¹

Gluing System

Spare parts













Pos.	Description	Art. No.	Availability
1	Limiting stop	582221	31.12.2025
2	Screw Pan-Head M4 x 16 mm	554088	31.12.2025
3	Hexagonal nut M4	554068	31.12.2025
4	Cover	552224	31.12.2025
5	Screw Pan-Head M4 x 30 mm	554089	31.12.2025
6	Handle	582220	31.12.2025
7	Spacing collar	552225	31.12.2025
8	Micro ram valve S-3-PK-3-B	no more available	552118
9	Screw Pan-Head M3 x 16 mm	554085	31.12.2025
10	Hexagonal nut M3	no more available	554067
11	Hose per meter PU-3	no more available	552243
12	Cable clamp 2.5 x 100 mm	no more available	552242
13	Union joint for hose Y-PK-3	no more available	552124
14	Housing	552226	31.12.2025
15	Nipple CN	552227	31.12.2025
18	Lagvalve VZO-3-PK-3	552256	31.12.2025
19	Screw Pan-Head M4 x 30 mm	554089	31.12.2025

¹Year of discontinuation: 2015



Gluing nozzles¹

Accessories/Tools

	Description	Art. No.	Availability
	Brush, 25–40 mm	512404	31.12.2025
	Brush, 50–60 mm	512406	31.12.2025
	Adjustable nozzle, 10–22 mm	512422	31.12.2025
	Adjustable nozzle, 23–42 mm	512442	31.12.2025
	Adjustable nozzle, 40–62 mm	512462	31.12.2025
	Pointed nozzle, Ø 5 mm/1.5 × 25 mm	512451	31.12.2025
	Round nozzle, Ø 5/4 × 30 mm	512454	31.12.2025
	Adjustable guide (without nozzle) for pointed and round nozzle, 0–25 mm	512425	31.12.2025
	U nozzle, glue outlets in the groove, 4 × 5 mm	513010	31.12.2025
	U nozzle, glue outlets in the groove, 4 × 8 mm	513011	31.12.2025












¹ Year of discontinuation: 2020

Continued on next page



Gluing nozzles¹

Accessories/Tools

	Description	Art. No.	Availability
	Surface roller, 180 mm with rubber roller	512602	31.12.2025
	Replacement roller, 180 mm	552610	31.12.2025
	Gluing brush, 50 x 35 mm	512605	31.12.2025
	Surface nozzle, 70 mm	512607	31.12.2025
	Surface nozzle, 120 mm	512612	31.12.2025
	Surface nozzle, 180 mm	512618	31.12.2025
	Dowel nozzle, Ø 6 x 20 mm	512801	31.12.2025
	Dowel nozzle, Ø 8 x 25 mm	512802	31.12.2025
	Dowel nozzle, Ø 8 x 32 mm	512803	31.12.2025
	Dowel nozzle, Ø 3/8" x 30 mm	512804	31.12.2025
	Dowel nozzle, Ø 10 x 30 mm	512805	31.12.2025

¹Year of discontinuation: 2020

Continued on next page



Gluing nozzles¹

Accessories/Tools

	Description	Art. No.	Availability
	Dowel nozzle, Ø 12 x 40 mm	512806	31.12.2025
	Dowel nozzle, Ø 14 x 40 mm	512807	31.12.2025
	Dowel nozzle, Ø 15 x 45 mm	512808	31.12.2025
	Dowel nozzle, Ø 16 x 45 mm	512809	31.12.2025
	Dowel nozzle double, Ø* mm, A = 32 mm	512822	31.12.2025
	Lamello nozzle, Size 0-20	512846	31.12.2025
	Universal tongue, 30 x 100 x 4.5 mm	512870	31.12.2025
	Universal tongue, 50 x 110 x 4.5 mm	512871	31.12.2025

* according to your requirements.












¹ Year of discontinuation: 2020

Continued on next page



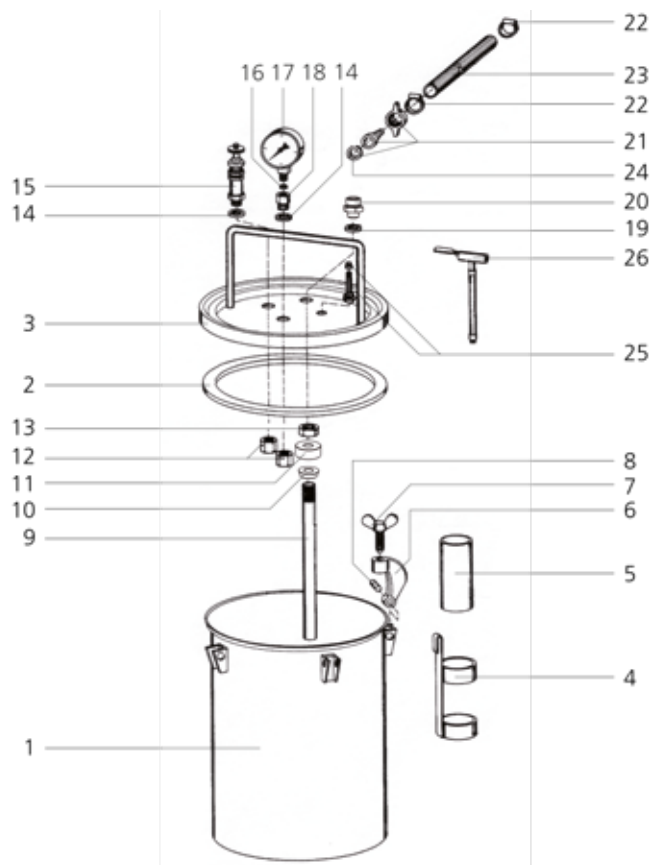
Gluing nozzles¹

Accessories/Tools

	Description	Art. No.	Availability
	Roller nozzle, 25 mm, Ø 7 mm	512879	31.12.2025
	Roller nozzle, 50 mm, Ø 7 mm	512875	31.12.2025
	Roller nozzle, 50 mm massiv, Ø 7 mm	512876	31.12.2025
	Roller nozzle, 75 mm, Ø 9 mm	512877	31.12.2025
	Replacement roll , 50 mm, Ø 7 mm	552820	31.12.2025
	Replacement roll , 75 mm, Ø 9 mm	552827	31.12.2025
	Replacement roll , 25 mm, Ø 7 mm	552831	31.12.2025
	Bracket with 2 screws for roller nozzle	552822	31.12.2025
	Connector with external thread, M8	533230	31.12.2025
	Connector with 2 screws, M4 x 10 mm	533240	31.12.2025
	Connector for round nozzle + pointed nozzle	583208	31.12.2025

¹ Year of discontinuation: 2020

Spare parts



Pos.	Description	Art. No.	Availability
12, 14, 15	Safety valve complete		
12, 14, 16, 17, 18	Manometer complete		
2, 3, 9 – 20, 25	Cover complete		
4, 5	Water reservoir complete	see Accessories/Tools	
1	Pressure tank	552010	31.12.2030
2	Joint ring Ø 190 / 210 x 7 mm	552012	31.12.2030
3	Joint ring	552011	31.12.2030
4	Water reservoir holder	552024	31.12.2030
5	Bottle Ø 62 / 60 mm	552025	31.12.2030
6	Clamping clip	552026	31.12.2030
7	Thumb screw	552027	31.12.2030
8	Slotted pin	552028	31.12.2030
9	Lifting tube bent LK 5 PUR	552084	31.12.2024
10	Joint for LK 5 PUR	582030	31.12.2024
11	Nut for LK 5 PUR	no more available	582031
12	Counter nut SW 19 mm	552022	31.12.2030
13	Hexagonal nut 3 / 8"	552021	31.12.2030
14	Joint Ø 13 / 19 x 2 mm	552052	31.12.2030
15	Safety valve 5 bar	552013	31.12.2030
16	Joint Ø 13 / 24 x 2.5 mm	552050	31.12.2030
17	Manometer	552015	31.12.2030
18	Manometer connection	552016	31.12.2030
19	Joint Ø 17 / 30 x 3 mm	552053	31.12.2030
20	Connection bend	552018	31.12.2030

¹ Year of discontinuation: 2014

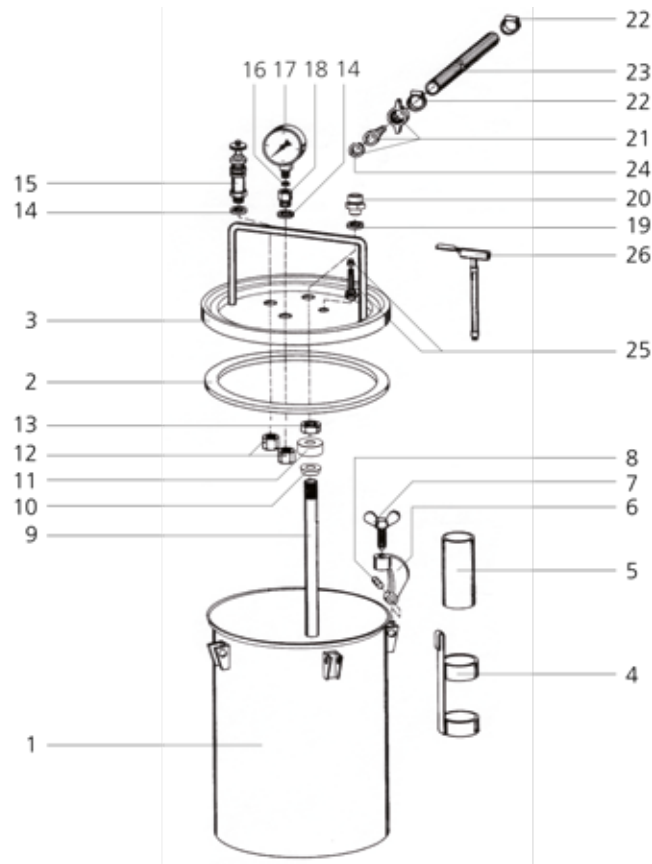
Continued on next page



Glue applicator LK5 PUR¹

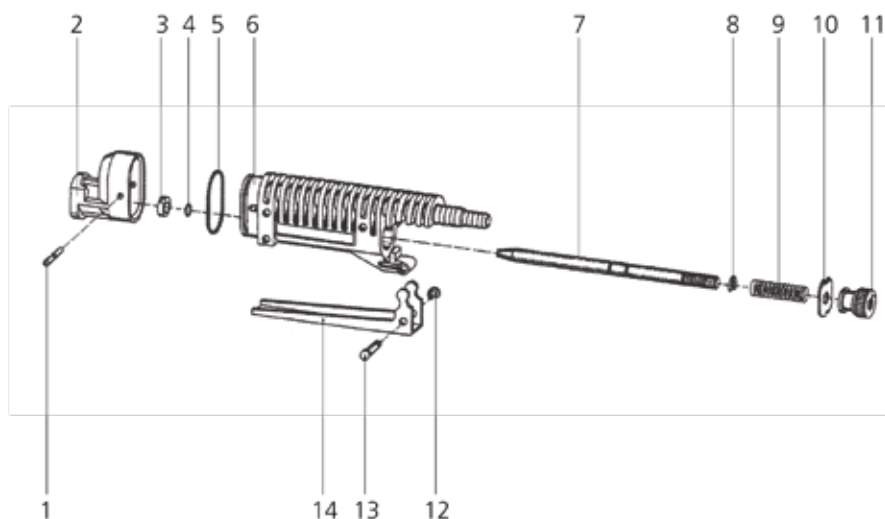
Gluing System

Spare parts



Pos.	Description	Art. No.	Availability
21	Hose connection 1/2" x 13 mm	553273	31.12.2024
22	Hose clip	552020	31.12.2030
23	Standard hose per meter Ø 13 mm PUR black	no more available	553277
24	Joint Ø 11 / 18 x 2 mm	552054	31.12.2030
25	Rubber valve	552017	31.12.2030
26	Pump hose	552029	31.12.2025

¹Year of discontinuation: 2014



Pos.	Description	Art. No.	Availability
3, 4, 5	Set of joint PUR	552235	31.12.2030
1, 2, 3, 4, 5, 7, 8	Set of repair PUR	552236	31.12.2030
1	Pin	552201	31.12.2030
2	Pistol head PUR, opening 5 mm	552239	31.12.2030
3	Joint Ø 12.4 / 5.6 x 3 mm	552203	31.12.2030
4	Jointing ring PUR 5.28 x 1.78 mm	552250	31.12.2030
5	Jointing ring PUR 26 x 2 mm	552251	31.12.2030
6	Housing	552206	31.12.2030
7	Needle PUR, shortened	552240	31.12.2030
8	Locking disk 4 mm	552208	31.12.2030
9	Compression spring 40 x 10 x 1.7 mm	552209	31.12.2030
10	Plate	552210	31.12.2030
11	Metering nut PUR	552248	31.12.2030
12	Locking disk 2.3 mm	552212	31.12.2030
13	Bolt	552213	31.12.2030
14	Lever	552214	31.12.2030

¹ Year of discontinuation: 2020



Gluing nozzles PUR ¹

Accessories/Tools

Pos.	Description	Art. No.	Availability
	Nozzles for edges PUR, 30 mm, detachable, 2 glue outlets 3.0 x 1.0 x 5.0 mm	512480	31.12.2025
	Nozzles for edges PUR, 40 mm, detachable, 4 glue outlets 3.0 x 1.0 x 5.0 mm	512481	31.12.2025
	Nozzles for edges PUR, 50 mm, detachable, 4 glue outlets 3.5 x 1.0 x 5.0 mm	512482	31.12.2025
	Nozzles for edges PUR, 60 mm, detachable, 4 glue outlets 3.5 x 1.0 x 5.0 mm	512483	31.12.2025
	Pointed nozzle PUR, Ø 5/1.5 x 25 mm	512490	31.12.2025
	Nozzles for surfaces PUR, 100 mm, detachable, 6 glue outlets 3.5 x 1.5 mm	512679	31.12.2025







¹Year of discontinuation: 2020



Minicol

Gluing System





Accessories/Tools

	Description		Art. No.	Availability
	Glue bottle	for Minicol	335510	
	Base, solid wood	for Minicol	285515	
	Plastic nozzle		335511	
	Metal nozzle		285512	
	Pointed nozzle		335522	
	Metal nozzle for biscuits size H9		285509	



Dosicol¹ Gluing System

Spare parts

Pos.	Description	Art. No.	Availability
1	Nozzle mod. 20 for Dosicol	287020	31.12.2027
2	Nozzle mod. 2 for Dosicol	287022	31.12.2027
3	Dowel nozzles 8/10/12 mm for Dosicol	287027	31.12.2027
4	Base for Dosicol	287010	31.12.2027
			
5	Glue bottle for Dosicol with metering pump	287012	31.12.2027
			
6	Cap for Dosicol	337001	31.12.2027
			
7	Water container for Dosicol	337040	31.12.2027
			
8	Key for Dosicol SW 12	271770	31.12.2027

¹Year of discontinuation: 2017



Lamello AG
Joining technology
Hauptstrasse 149
CH-4416 Bubendorf

Tel. +41 (0)61 935 36 36
Fax +41 (0)61 935 36 06
info@lamello.com
www.lamello.com